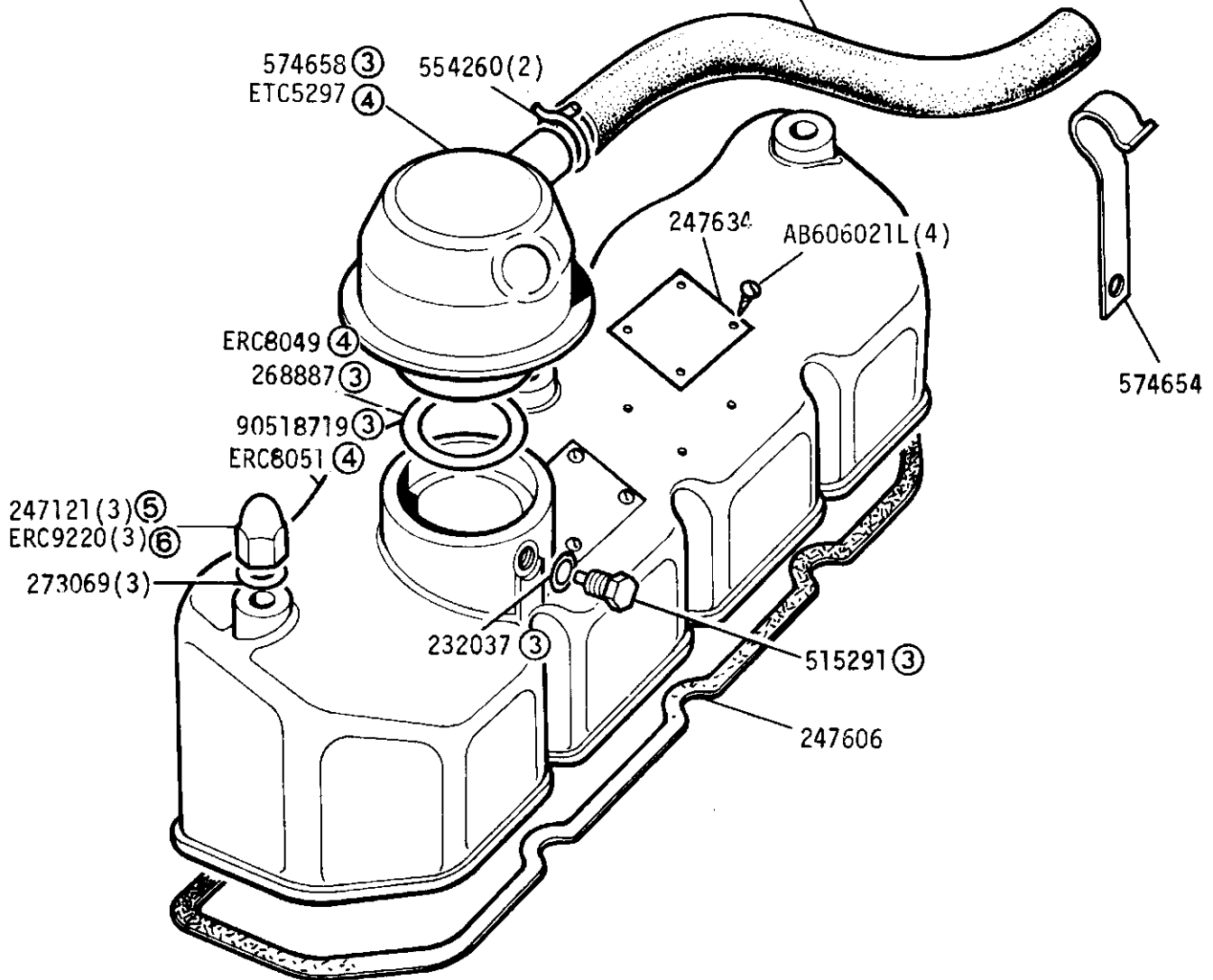


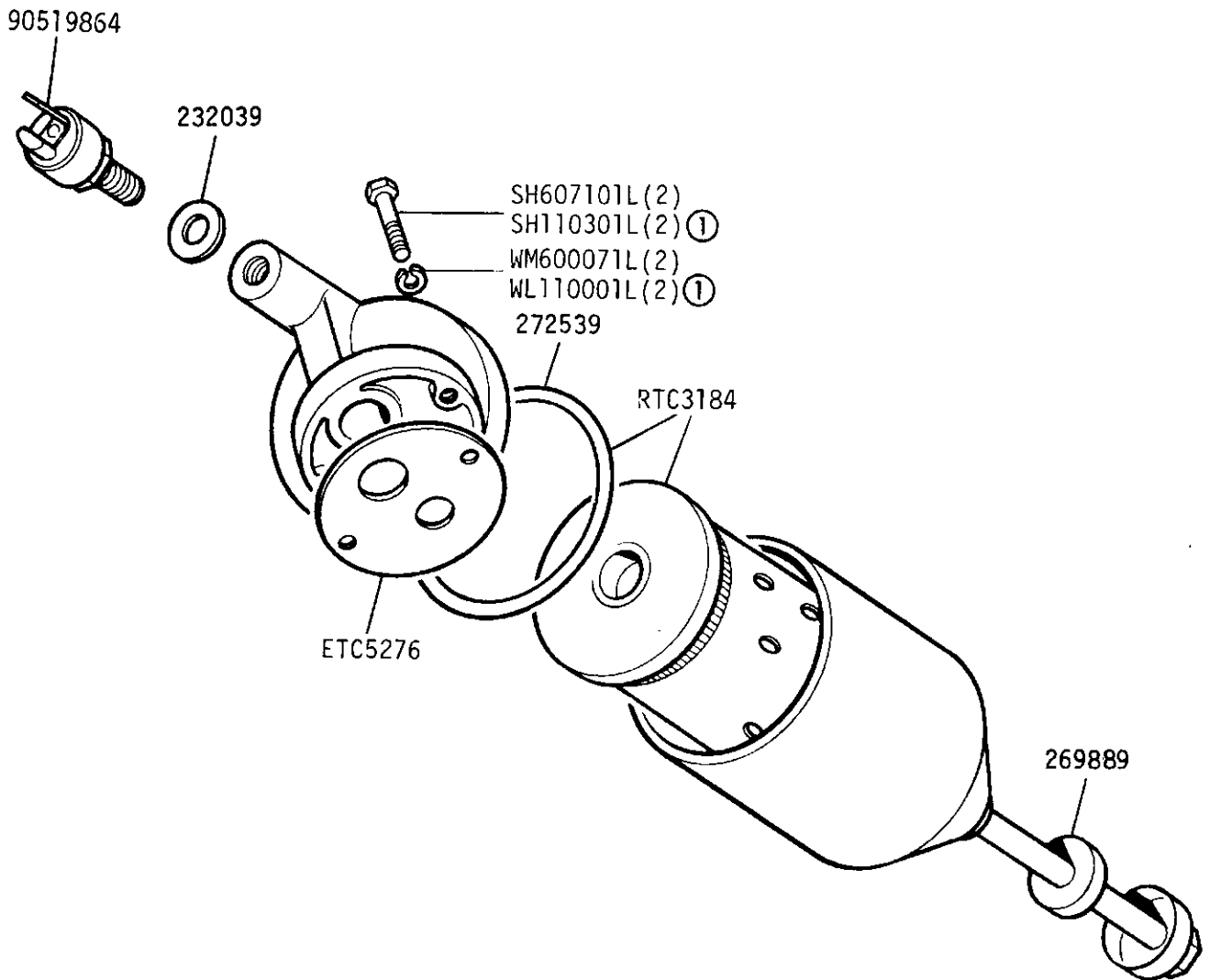
GROUP B  
ENGINE - Rocker Cover 2½ Litre Diesel

90574655 ①③  
ETC4146 ①④  
587986 ②③  
ERC9728 ②④



- ① Vehicles without Servo
- ② Vehicles with Servo
- ③ Up to engine number 36623742B
- ④ From engine number 36623742B
- ⑤ All engine prefix 906 and suffix 'A' & 'B' for engines prefix 366
- ⑥ Engine prefix 366 suffix 'C' onwards

GROUP B  
ENGINE - Oil Filter 2½ Litre Diesel



Oil Filter assembly 537229

① From engine No. 36619420B

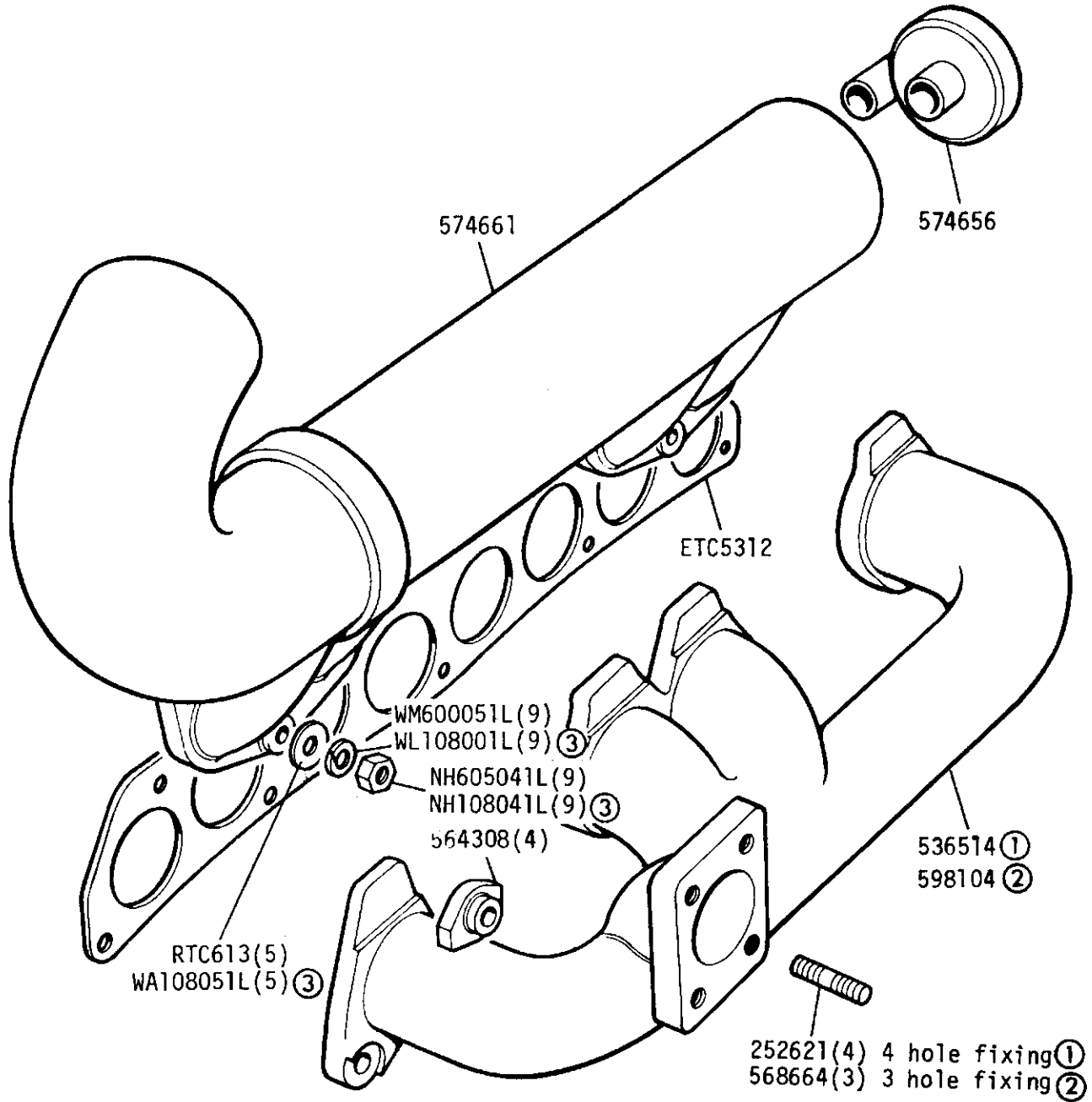


LAND ROVER

1E 12

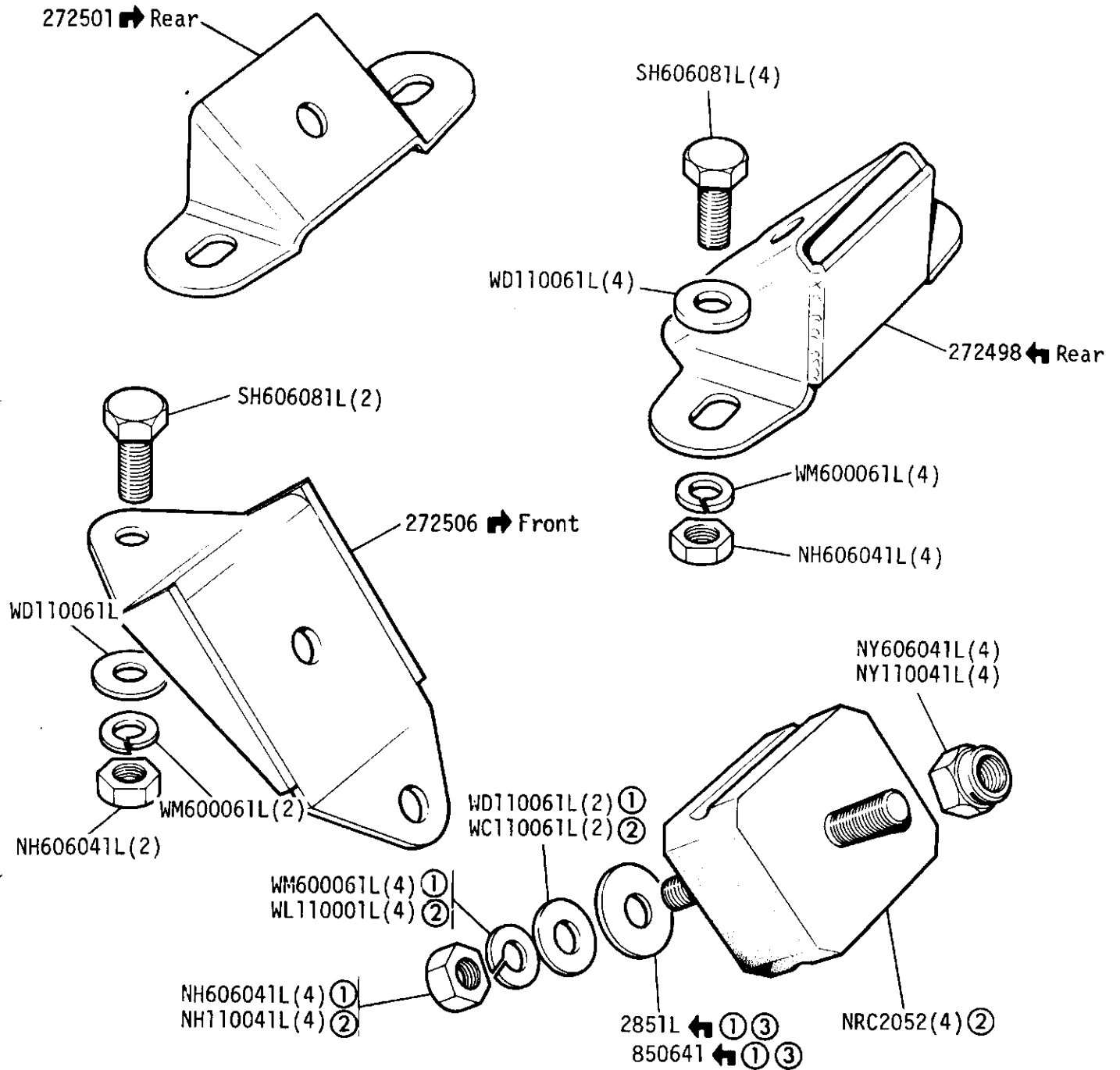
1RE 282

GROUP B  
ENGINE - Manifolds 2½ Litre Diesel



- ① Up to Engine suffix 'B' inclusive Four hole fixings
- ② From Engine suffix 'C' onwards Three hole fixings
- ③ From engine No.36619420B

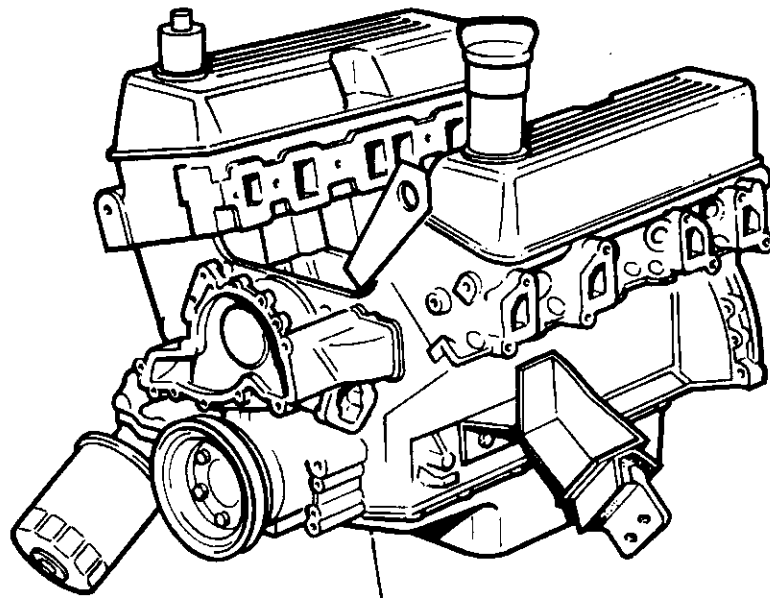
GROUP B  
ENGINE - Mountings and Rubbers, Diesel Models



- ① UNF Fixings
- ② Metric Fixings
- ③ → Front Mounting only

GROUP B

ENGINE - Service engines 109 V8, 8.13: 1 Compression ratio



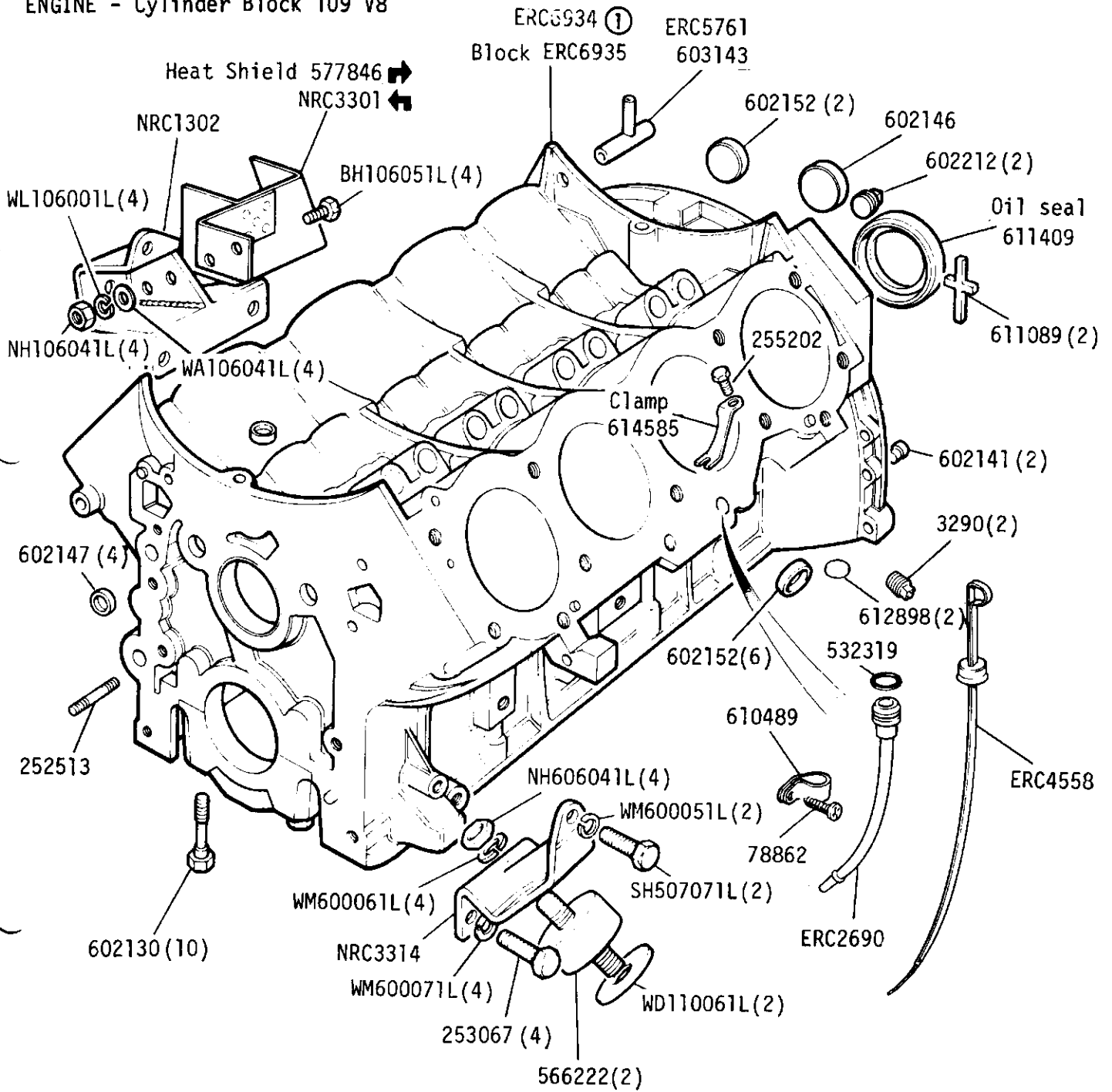
① RTC3637N

② RTC2600N  
RTC2600R

Typical illustration

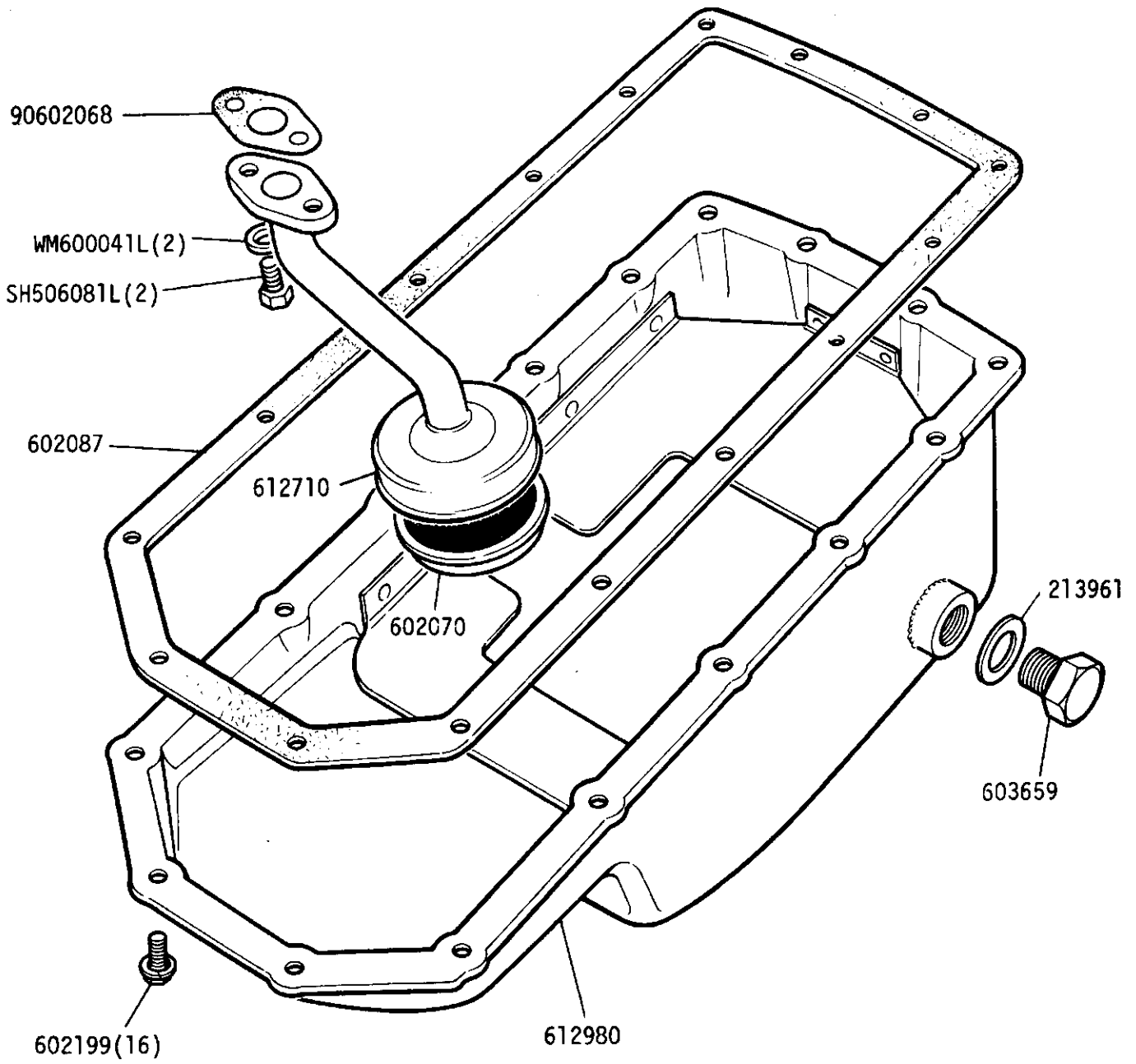
- ① Detoxed to ECE 15-03 Engine prefix 11G
- ② Non detoxed and detoxed prior to ECE 15-03  
less water pump, carburettor, starter motor, alternator etc  
Short engine assembly RTC2373, comprising block, crankshaft  
and pistons

GROUP B  
ENGINE - Cylinder Block 109 V8

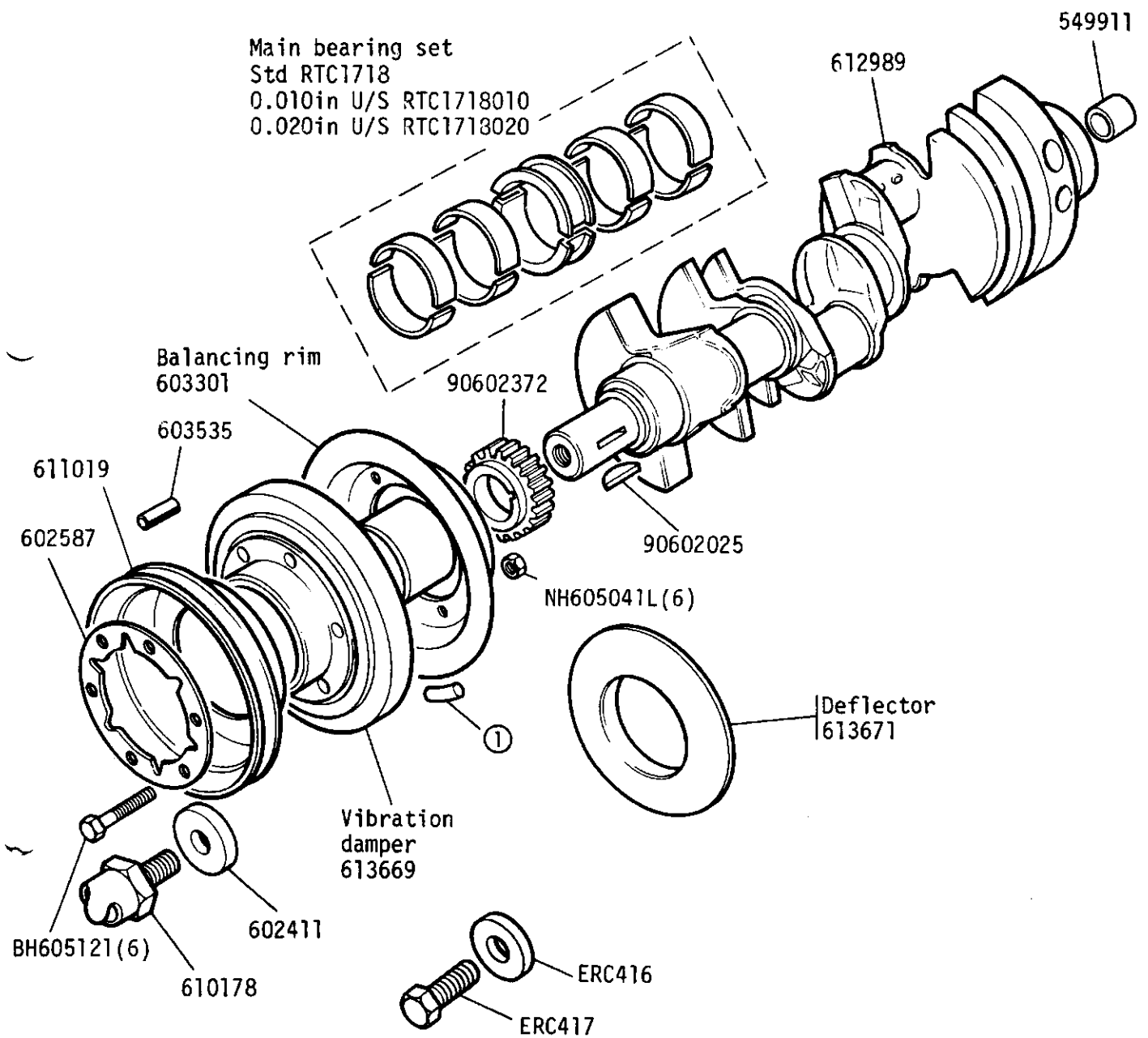


① For use on detoxed vehicles built to ECE 15-03

GROUP B  
ENGINE - Sump and Filter 109 V8



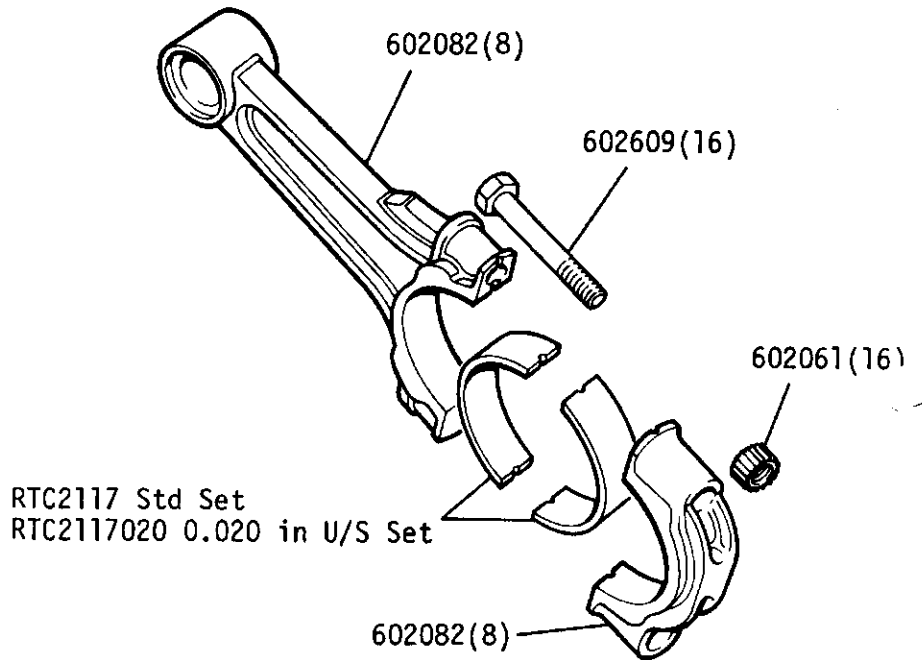
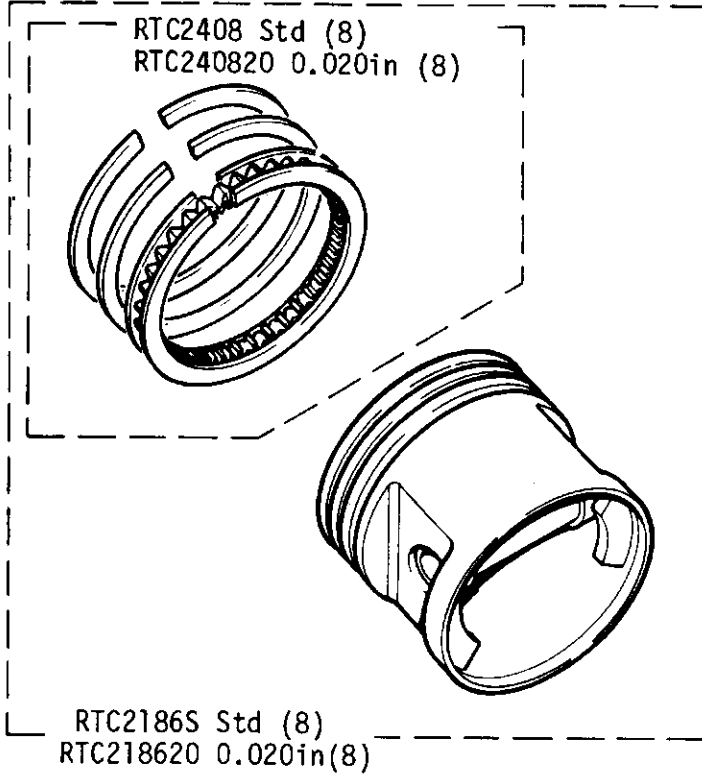
GROUP B  
ENGINE - Crankshaft 109 V8



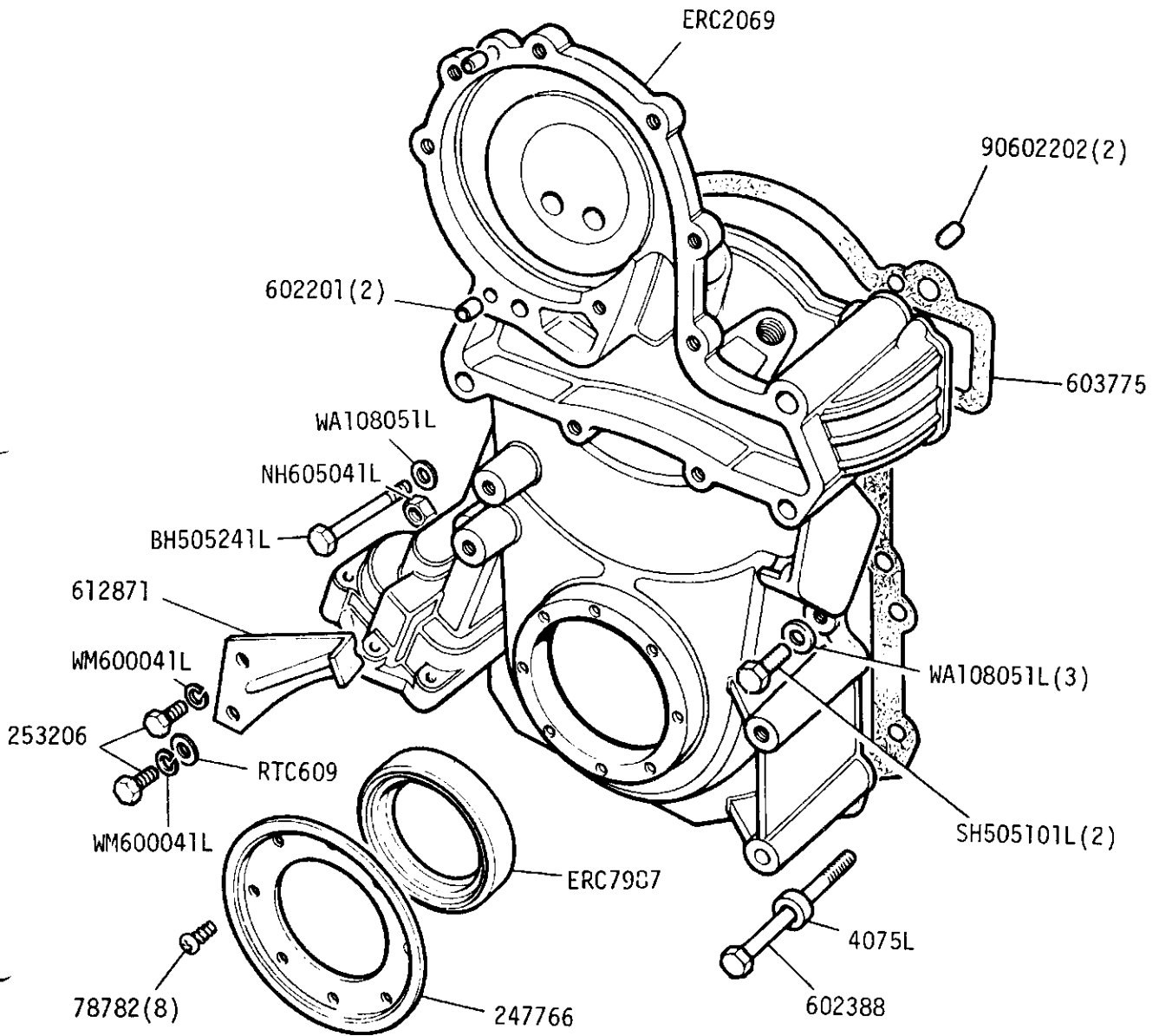
- ① Balance weights, as required
- 180oz ERC4877
  - 360oz ERC4878
  - 540oz ERC4879
  - 720oz ERC4880



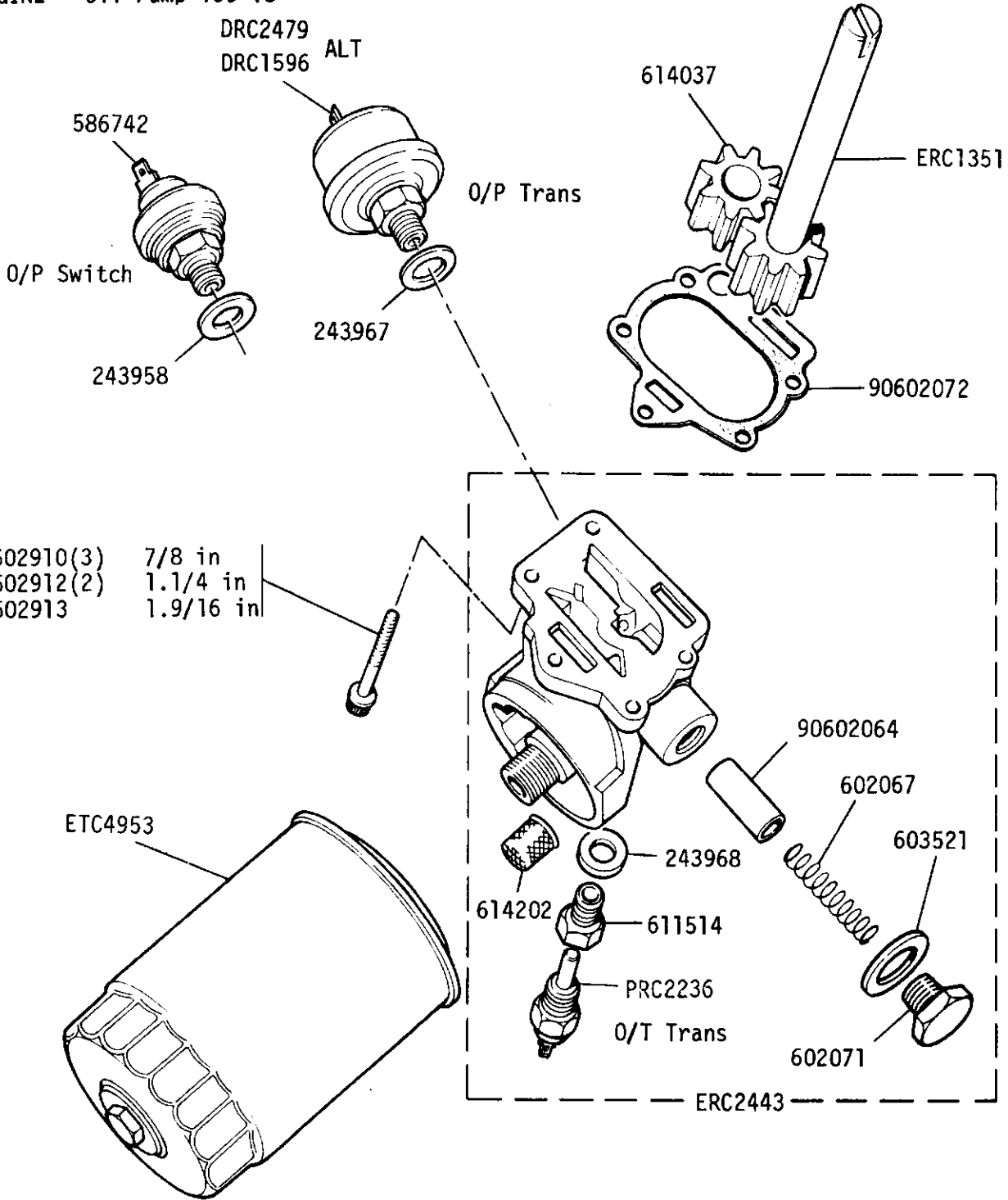
GROUP B  
ENGINE - Pistons, 8.13:1 Compression Ratio 109 V8



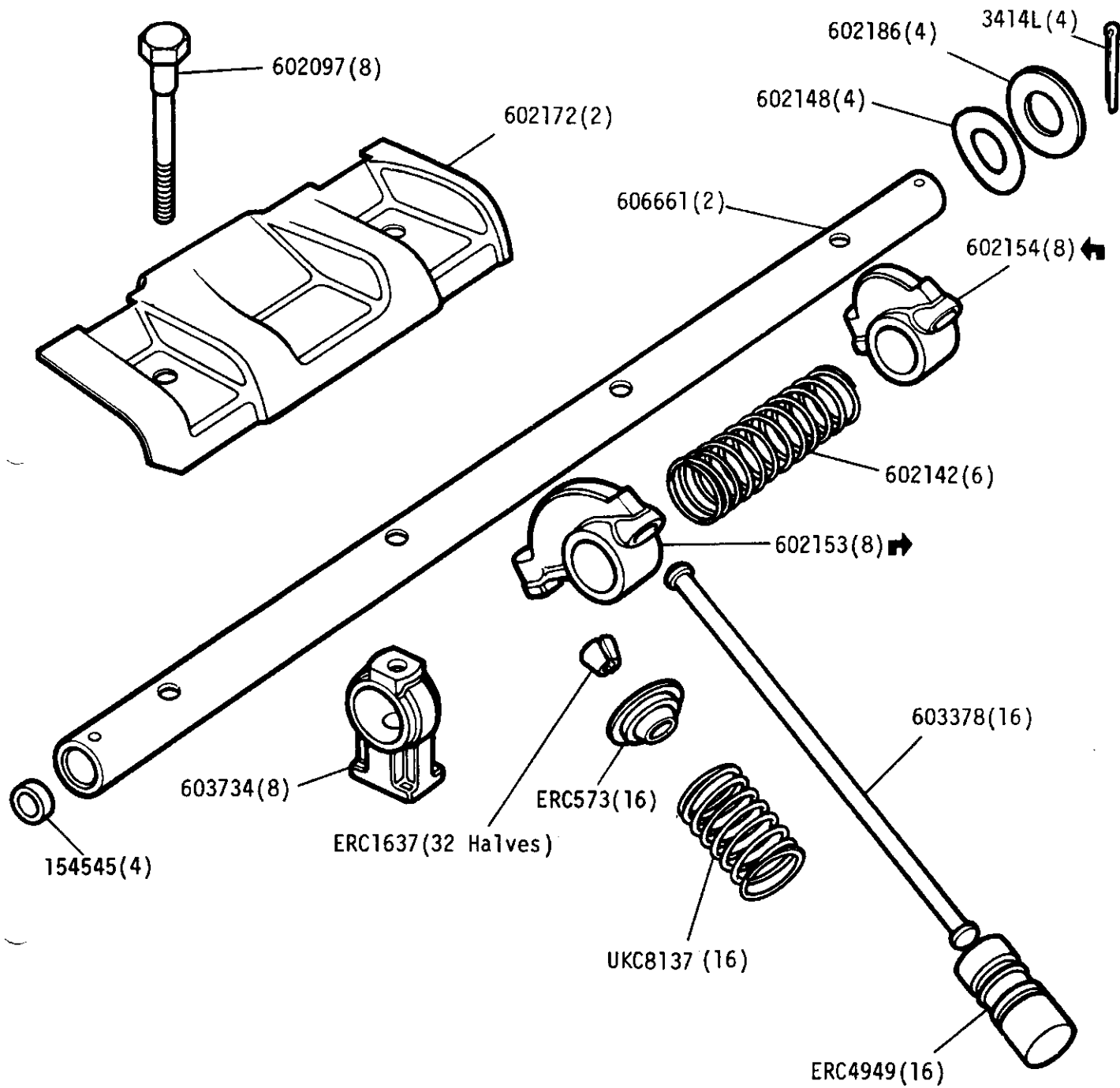
GROUP B  
ENGINE - Front Cover 109 V8



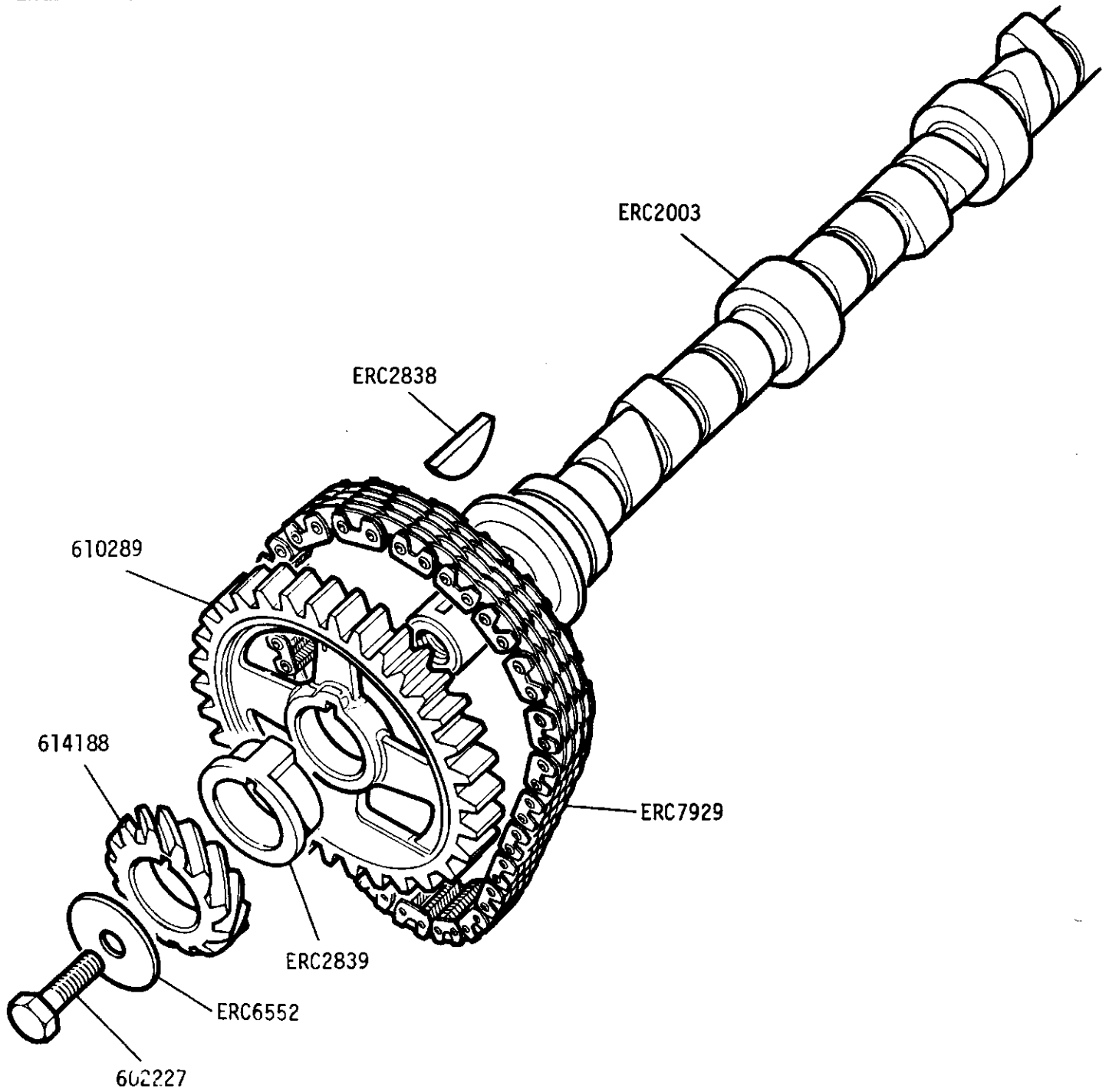
GROUP B  
ENGINE - Oil Pump 109 V8



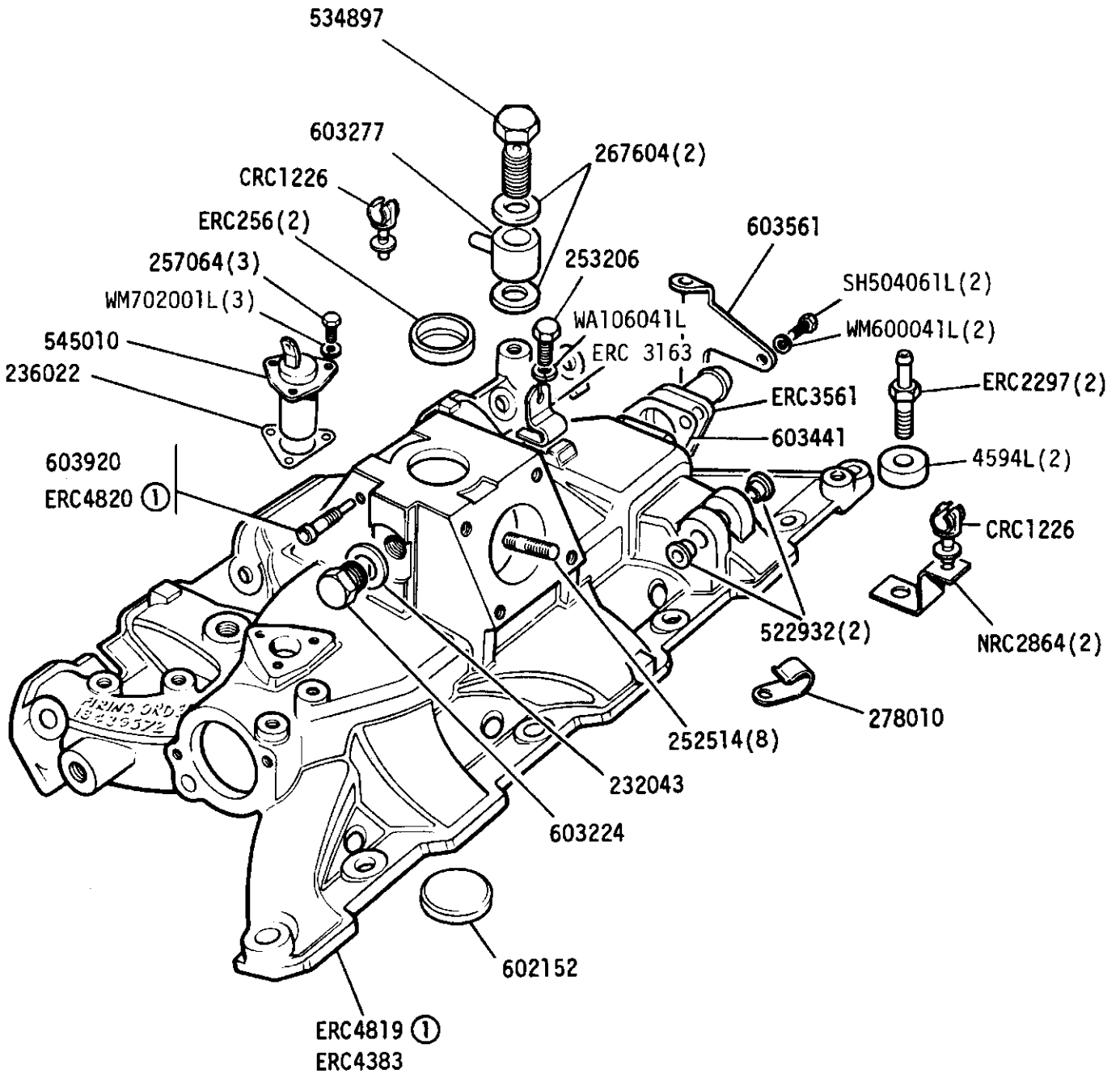
GROUP B  
ENGINE - Valve Gear 109 V8



GROUP B  
ENGINE - Camshaft 109 V8

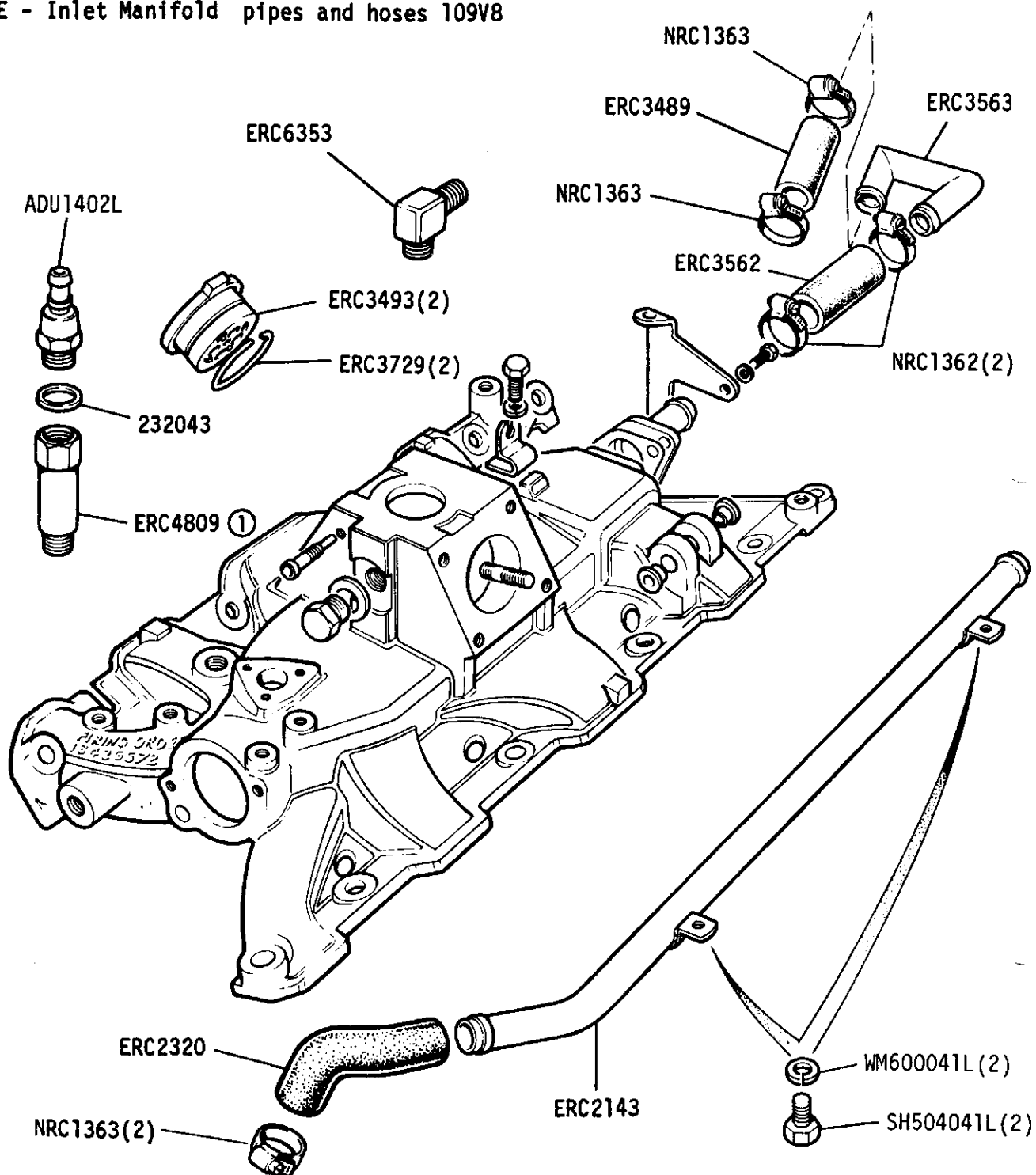


GROUP B  
ENGINE - Inlet Manifold and Thermostat Switch 109 V8



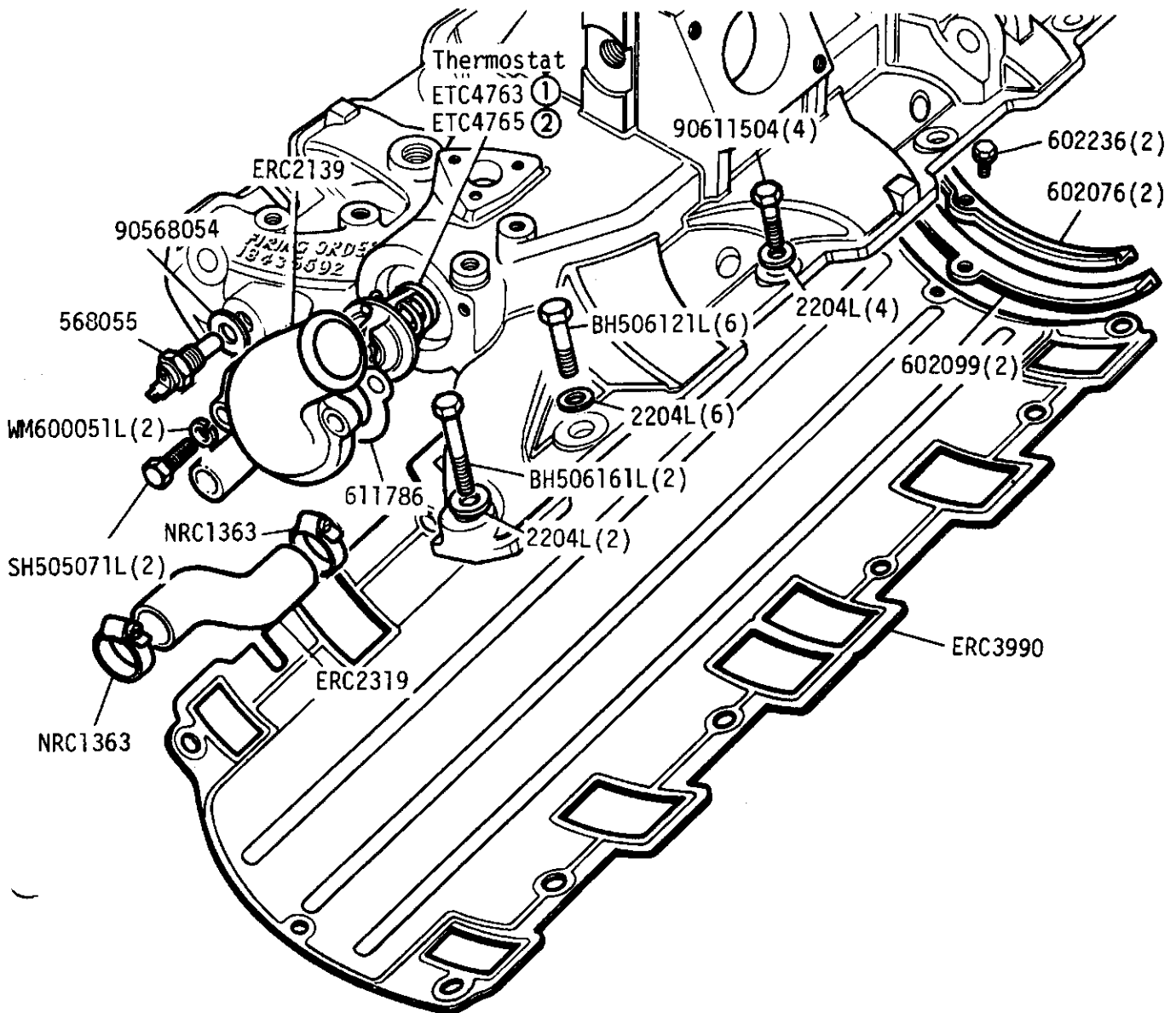
① Vehicles built to ECE 15-03

**GROUP B**  
**ENGINE - Inlet Manifold pipes and hoses 109V8**



① Vehicles built to ECE 15-03

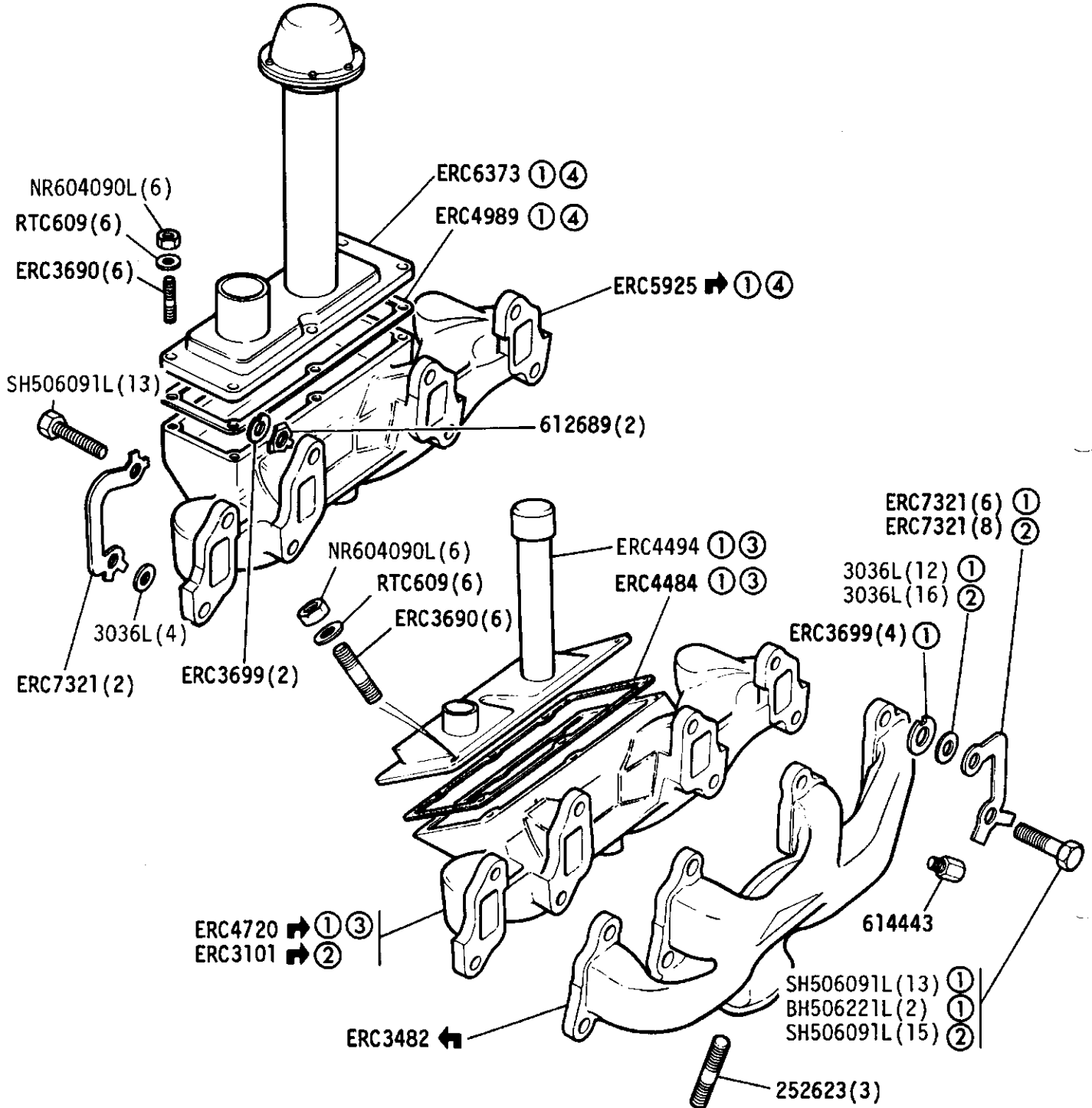
GROUP B  
 ENGINE - Thermostat, Inlet Manifold fixings and Outlet pipes 109 V8



- ① Non-detoxed engine
- ② Detoxed engine



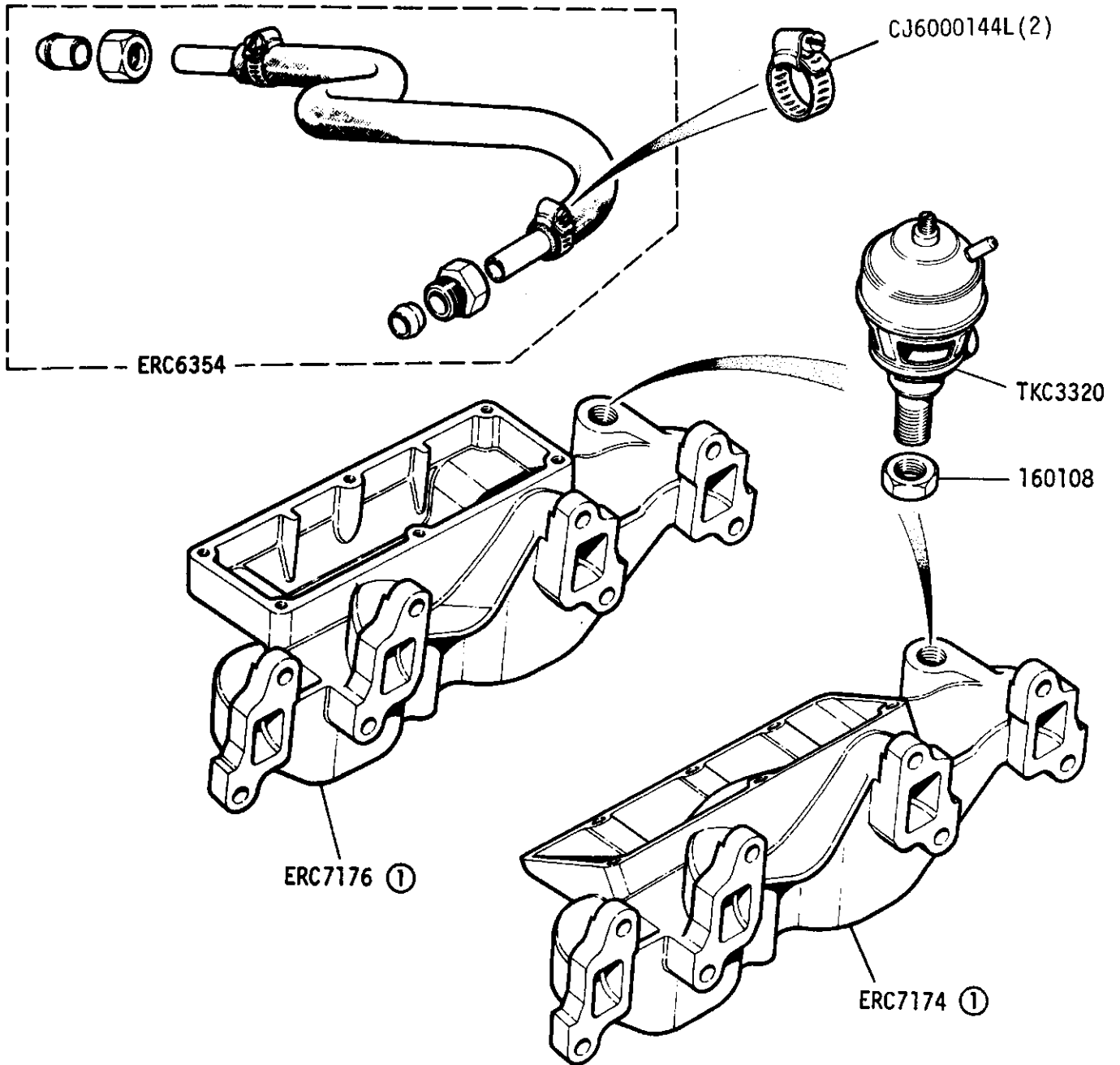
GROUP B  
ENGINE - Exhaust manifold 109 V8



- ① Detoxed engine
- ② Non detoxed engine
- ③ Up to engine No 11G00856
- ④ From engine No 11G00857

GROUP B

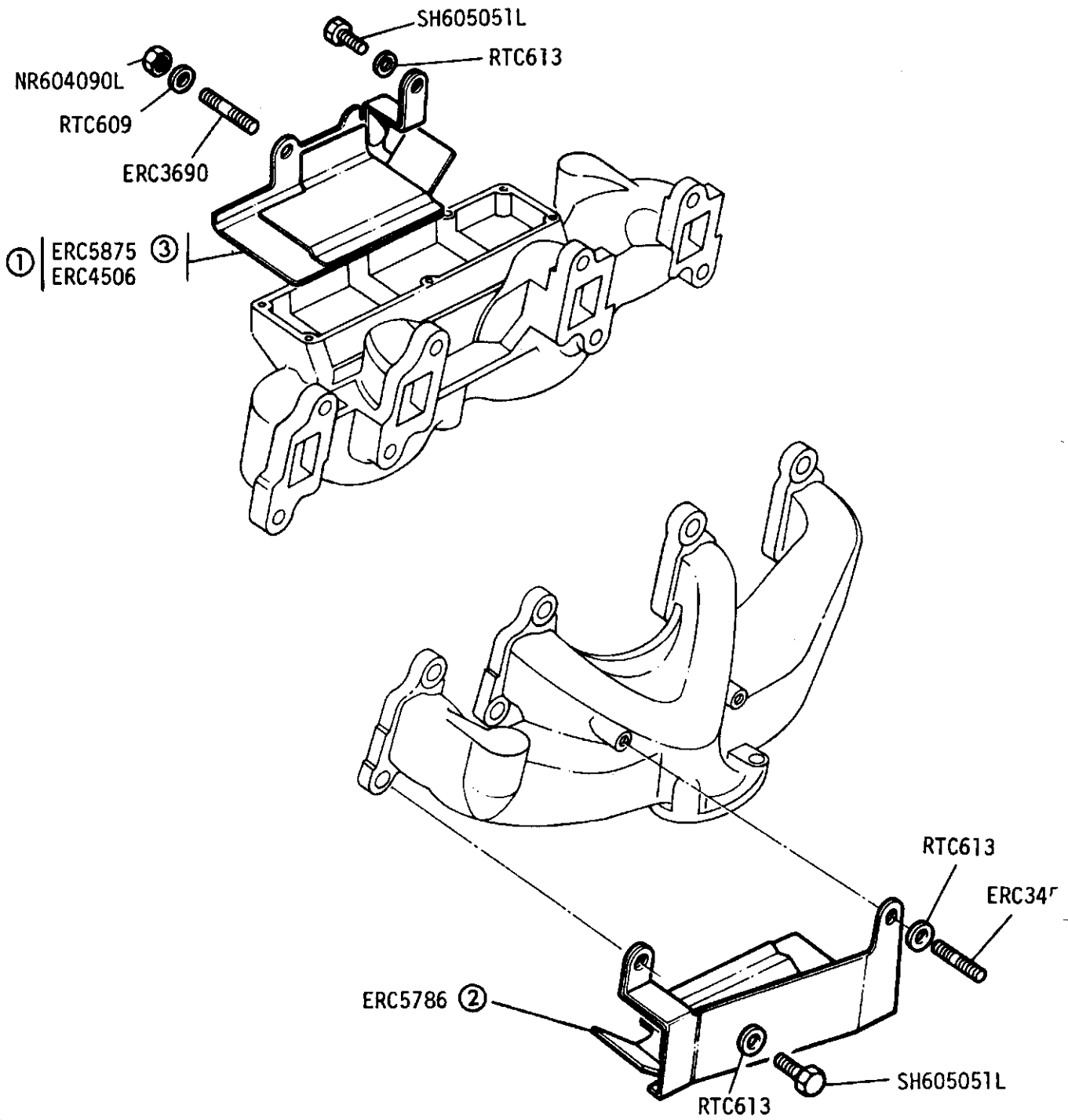
ENGINE - Exhaust Manifold and EGR valve 109 V8



Vehicles built to ECE 15-03

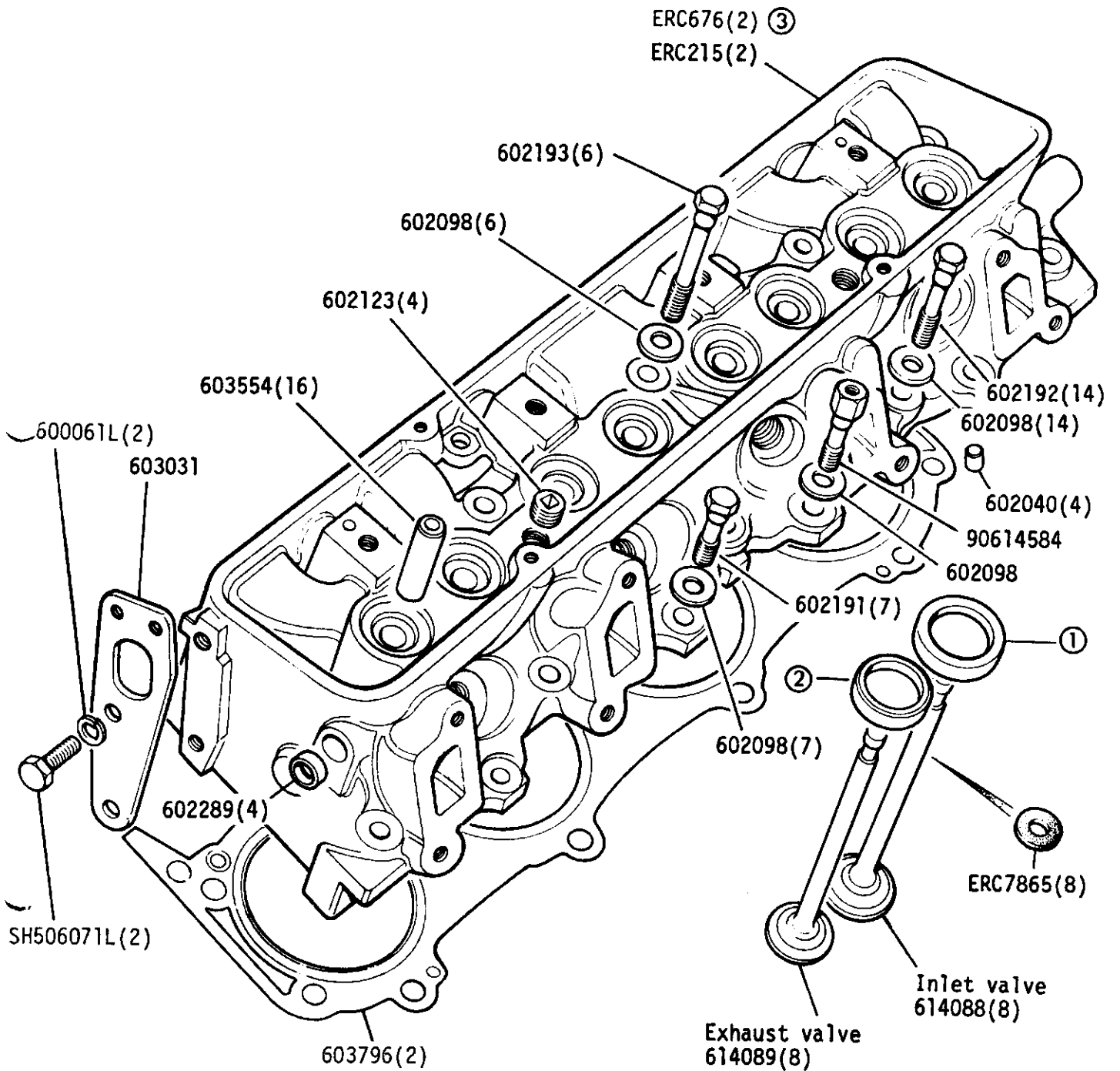
① Alternatives ERC7174 suitable for LHD vehicles only

GROUP B  
ENGINE - Heat Shields 109 V8



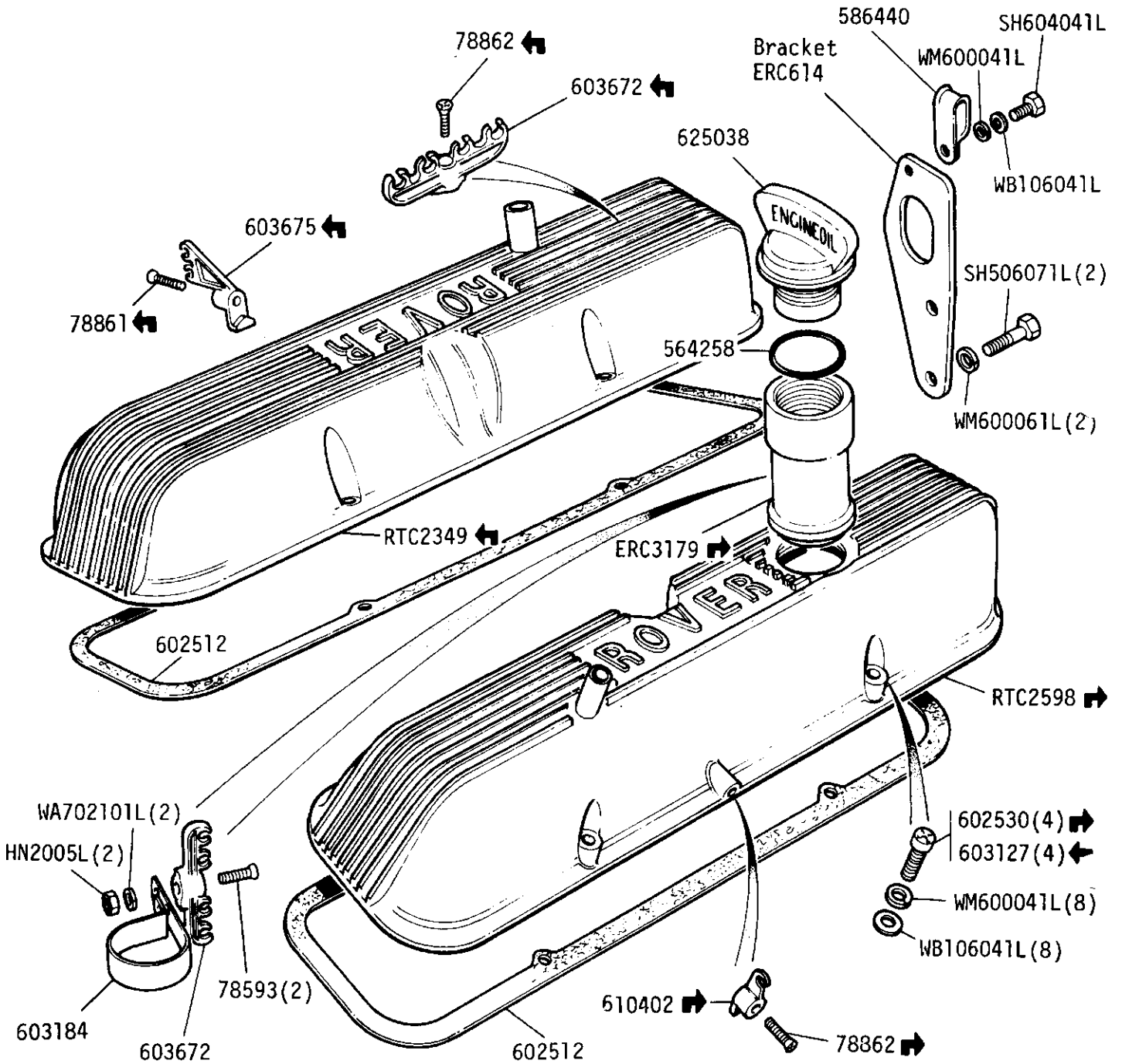
- ① DETOXED ENGINE
- ② NON DETOXED ENGINE
- ③ FROM ENGINE NO 11G00857

GROUP B  
ENGINE - Cylinder Head and Valves 109 V8

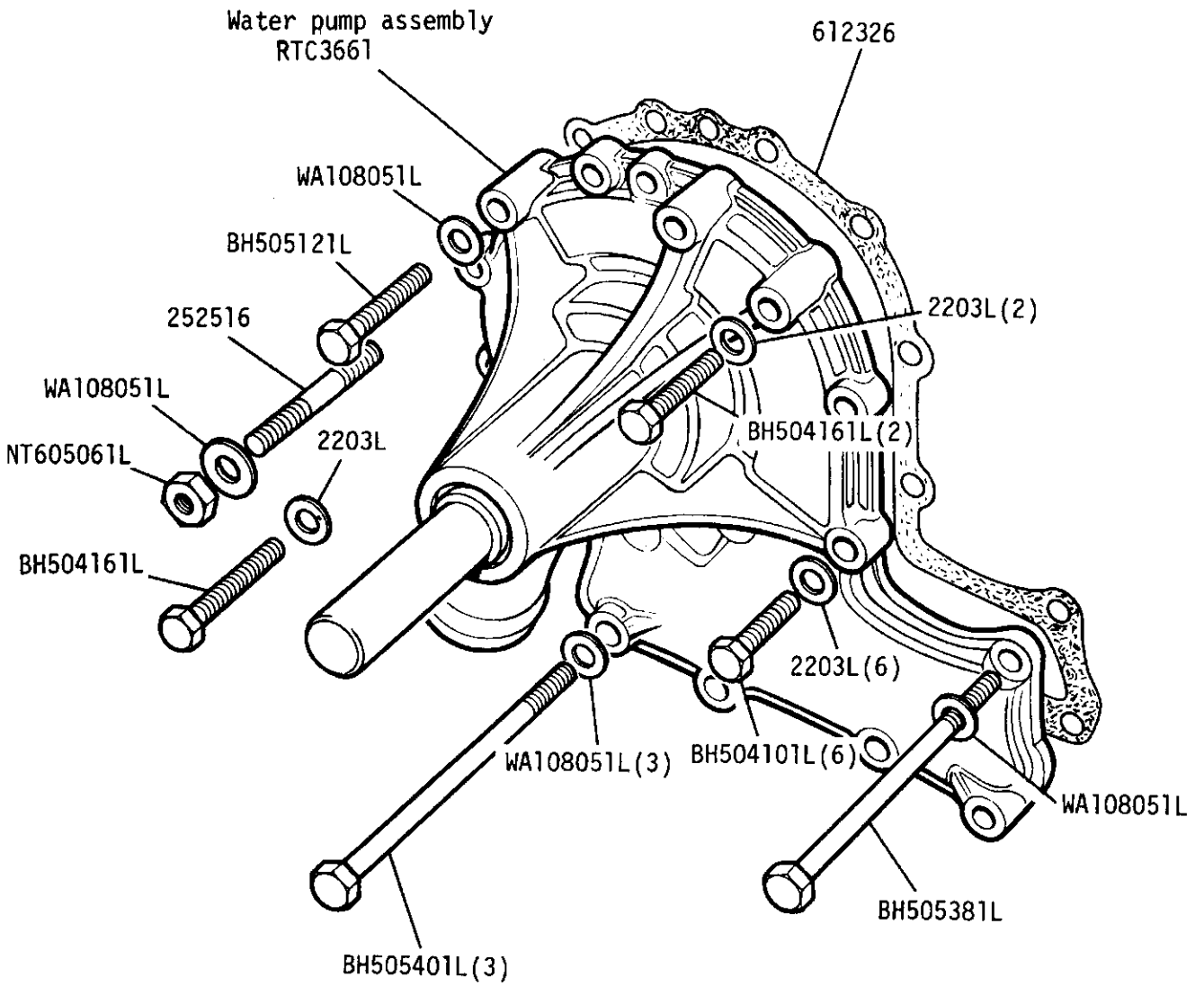


①	Valve seat, inlet, Std	(8)	ERC224
	Valve seat, inlet, 0.010in O/S	(8)	ERC225
②	Valve seat, exhaust, Std	(8)	ERC210
	Valve seat, exhaust, 0.010in O/S	(8)	ERC211
③	For engines built to ECE 15-03		

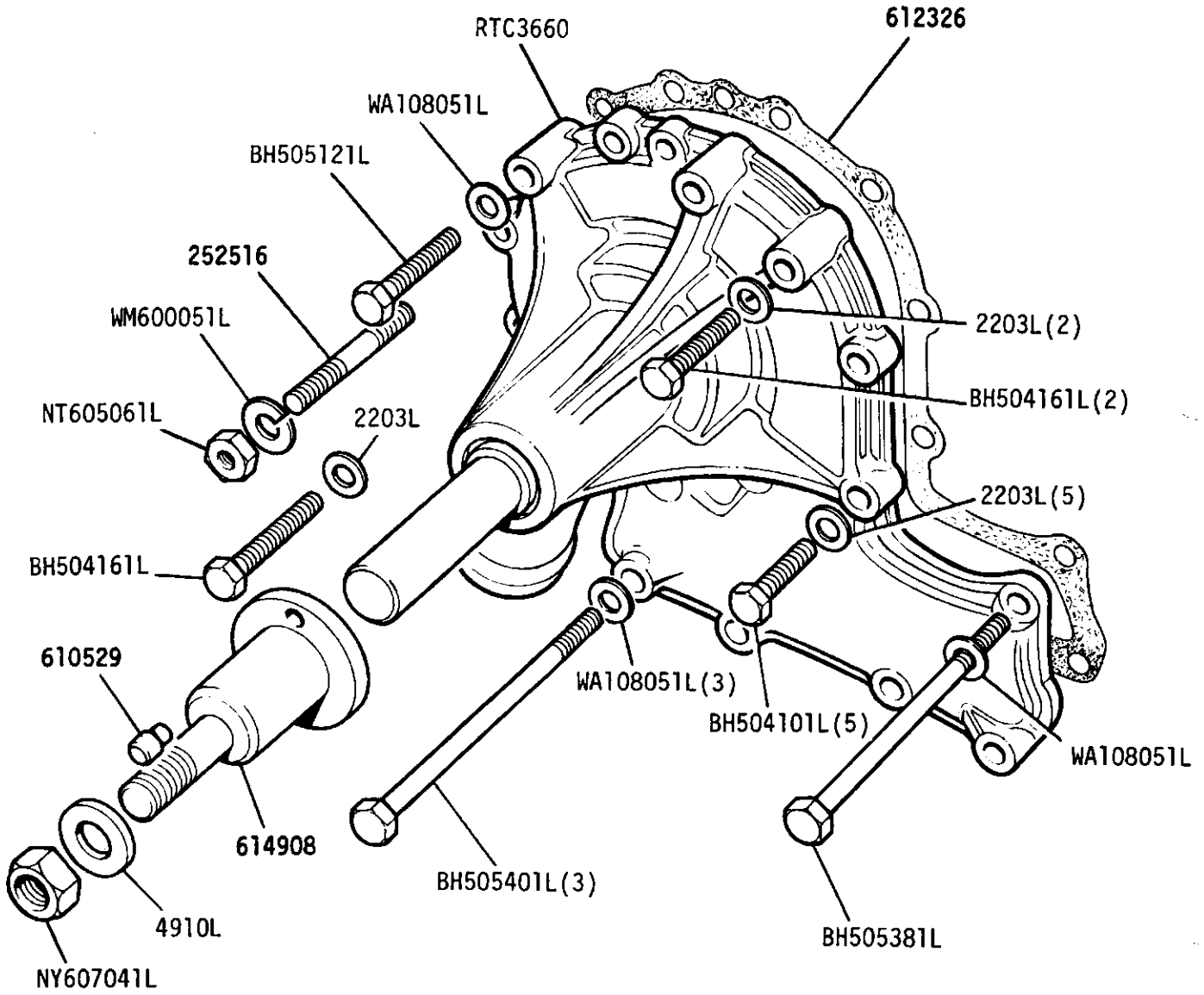
GROUP B  
ENGINE - Rocker Cover 109 V8



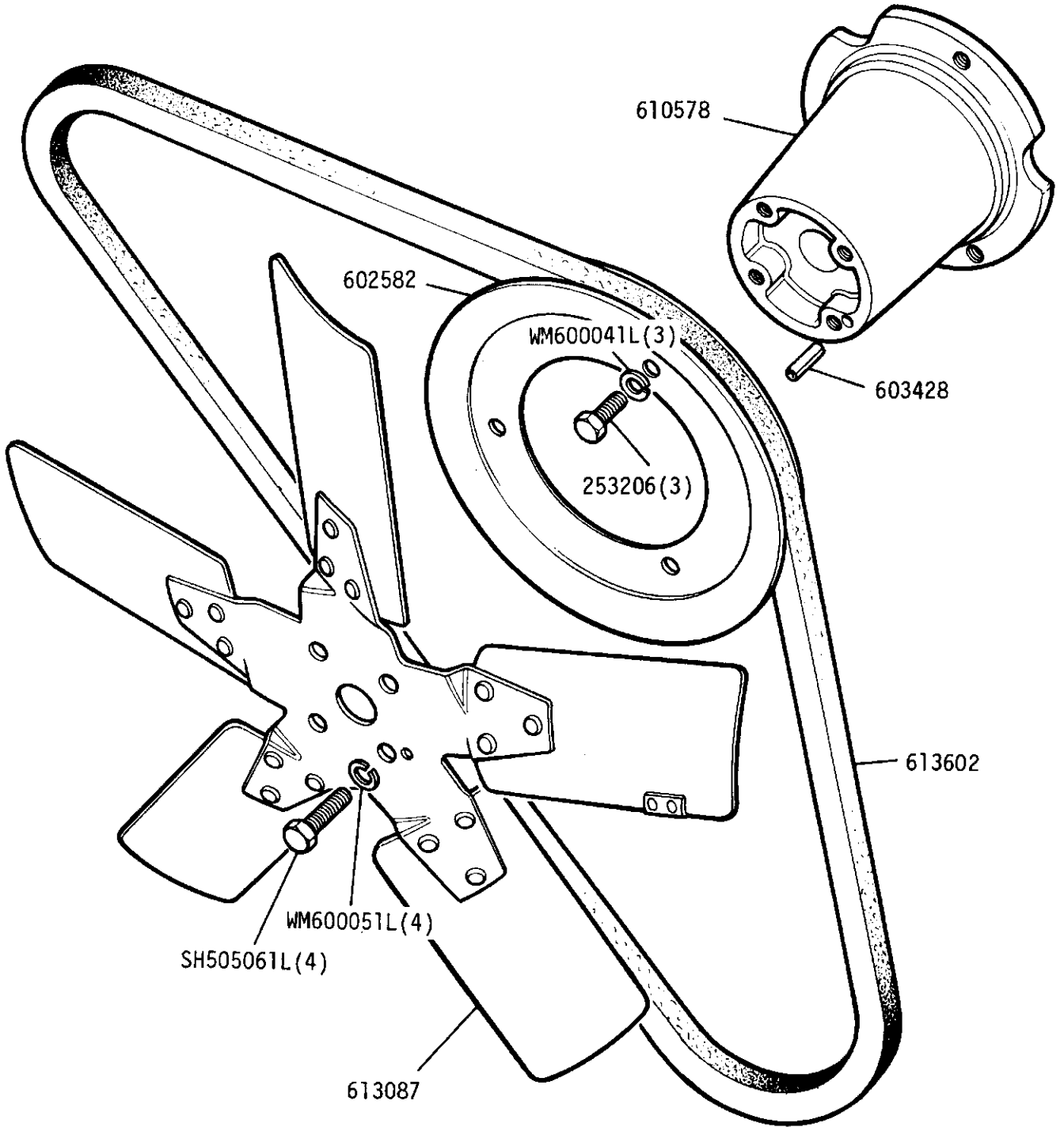
ROUP B  
ENGINE - Water Pump (non-viscous type) 109 V8



GROUP B  
ENGINE - Water Pump for Viscous Drive (Detoxed Engine) 109 V8

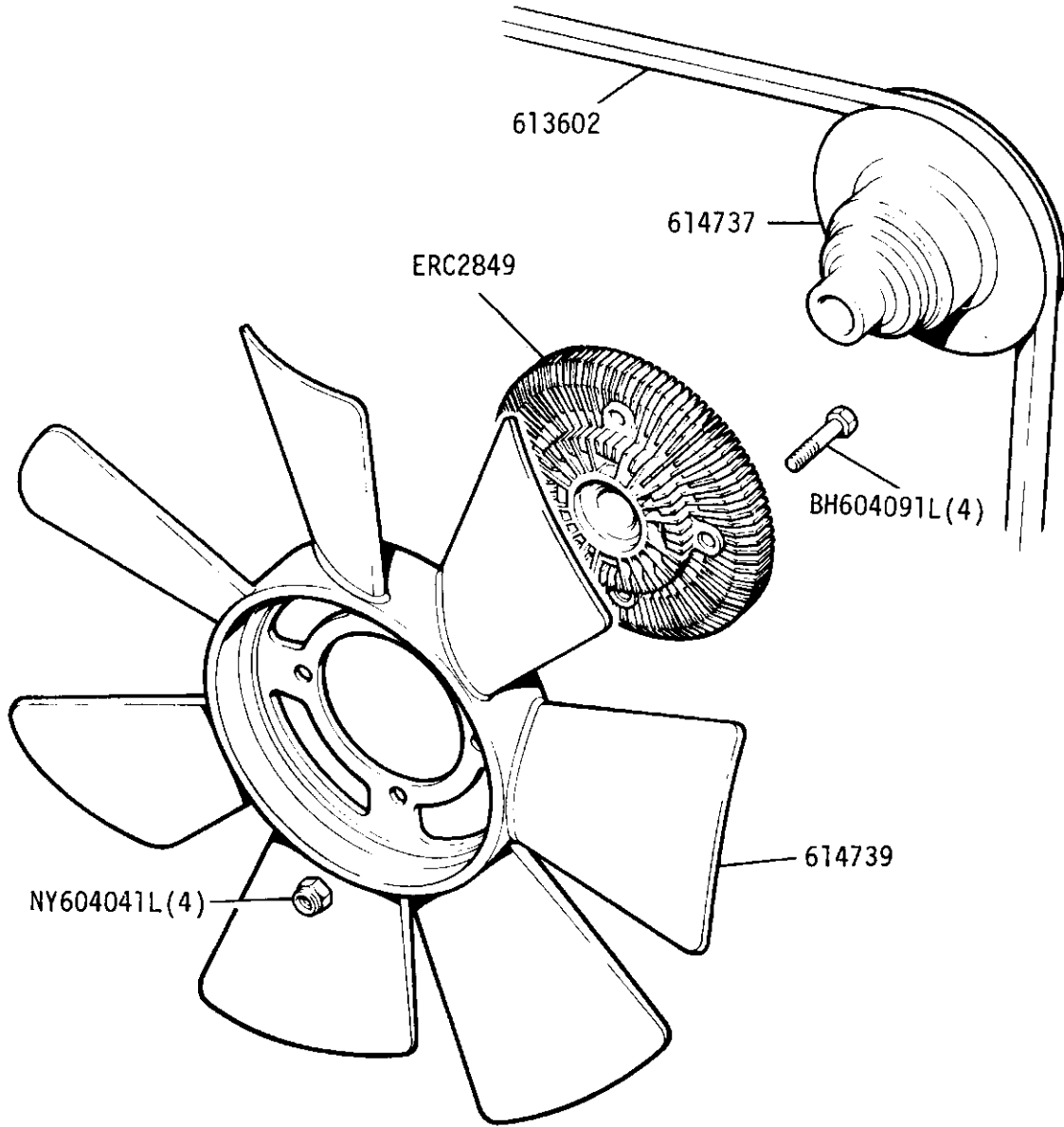


GROUP B  
ENGINE - Fan Pulley, Hub and Driving Belt (non-viscous type) 109 V8

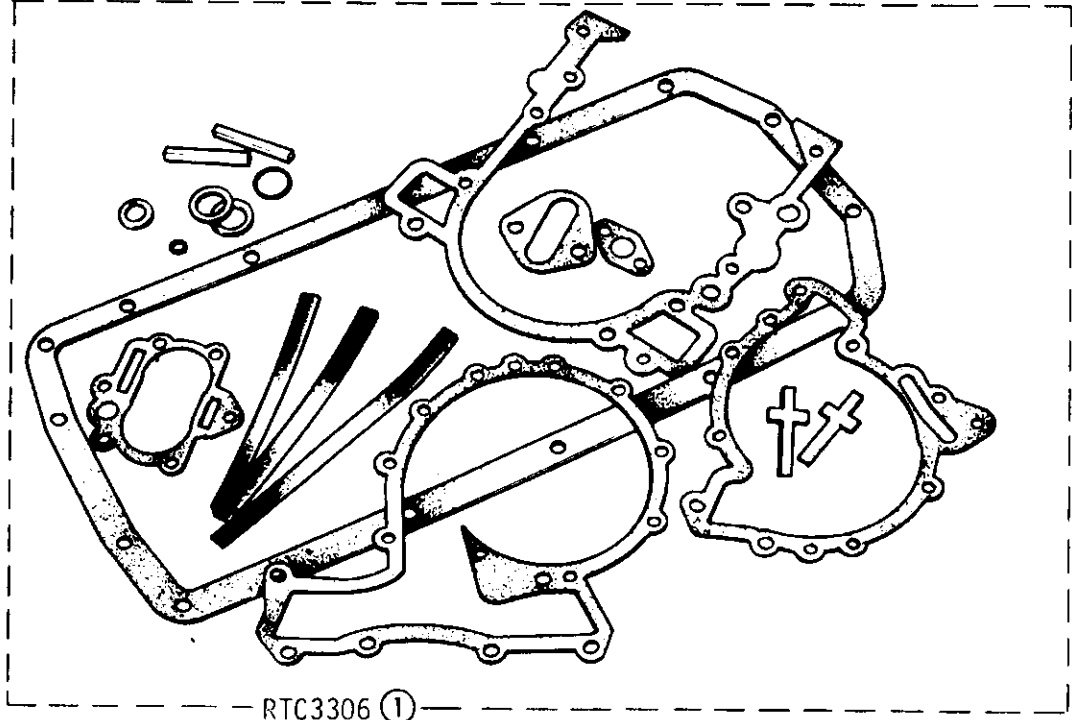




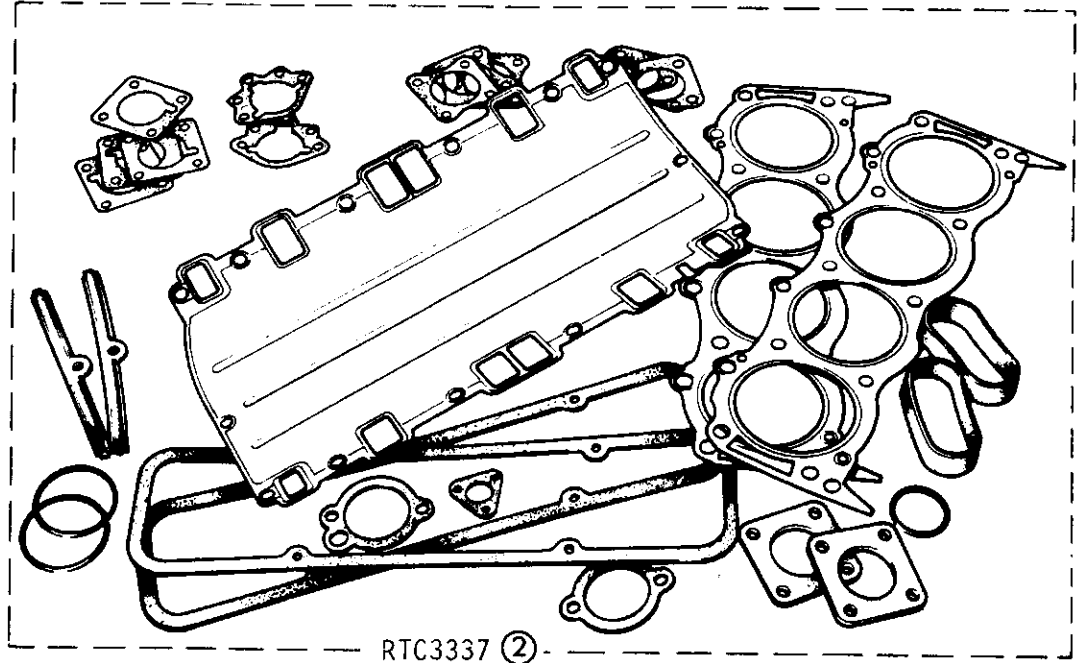
GROUP B  
ENGINE - Viscous Drive Unit and Fan (Detoxed Engine) 109 V8



GROUP B  
ENGINE - Gasket Kits 109 V8



RTC3306 ①

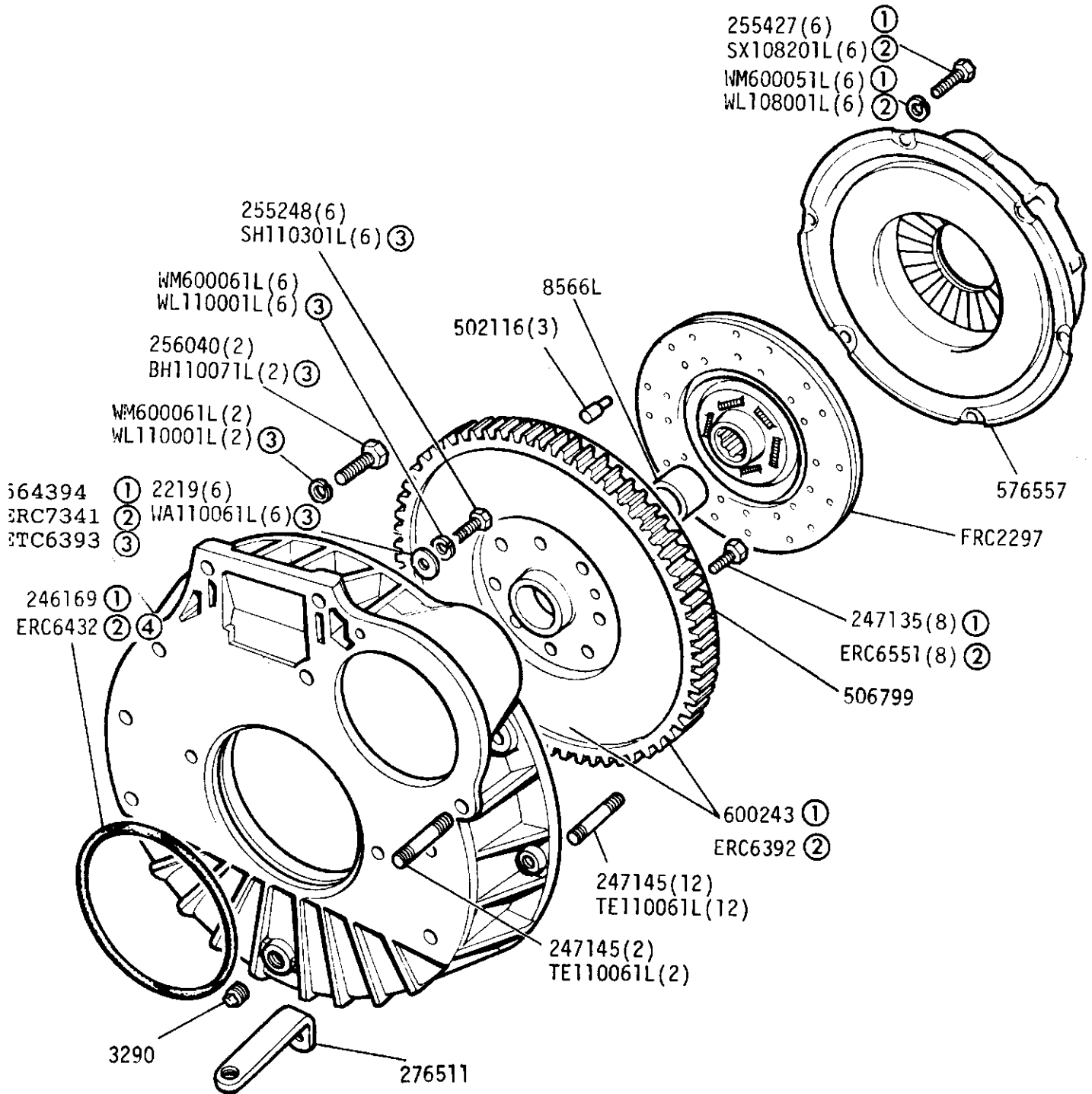


RTC3337 ②

6RE40

- ① Gasket kit - Engine overhaul
- ② Gasket kit - Decarbonising

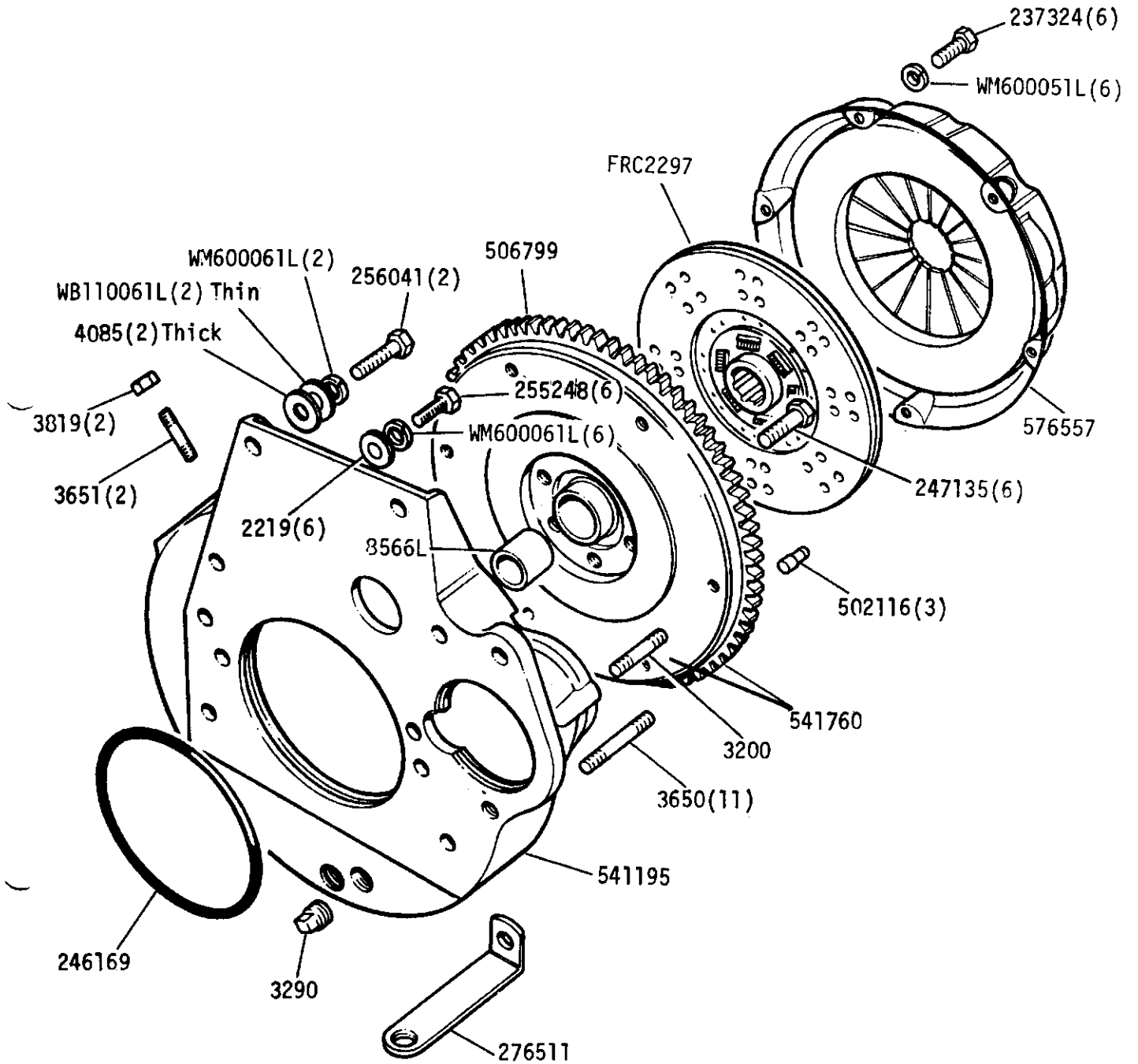
GROUP C  
ENGINE - Flywheel and Clutch 2½ Litre Petrol



Lining package for clutch 605997    Reinforcing plate for flywheel ERC4658 ②

- ① 3 Bearing Crankshaft
- ② 5 Bearing Crankshaft
- ③ From engine numbers 36123672B, 36407286B
- ④ Not required after engine number 36142443C or if liquid gasket compound is used.

GROUP C  
 ENGINE - Flywheel and Clutch 2.6 Litre Petrol

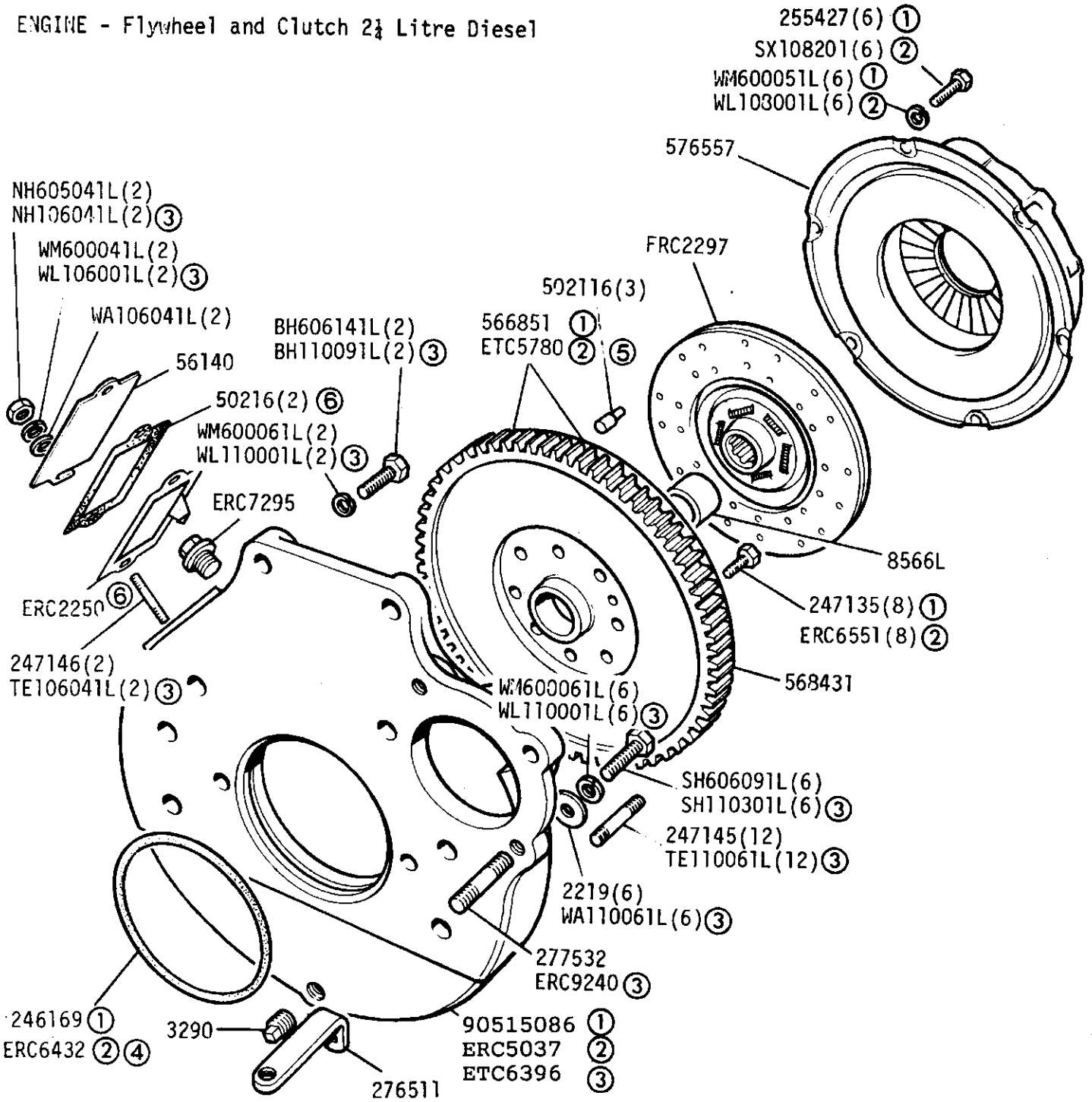


Lining package for clutch plate 605997

LAND ROVER 1G 02 2RE 59

GROUP C

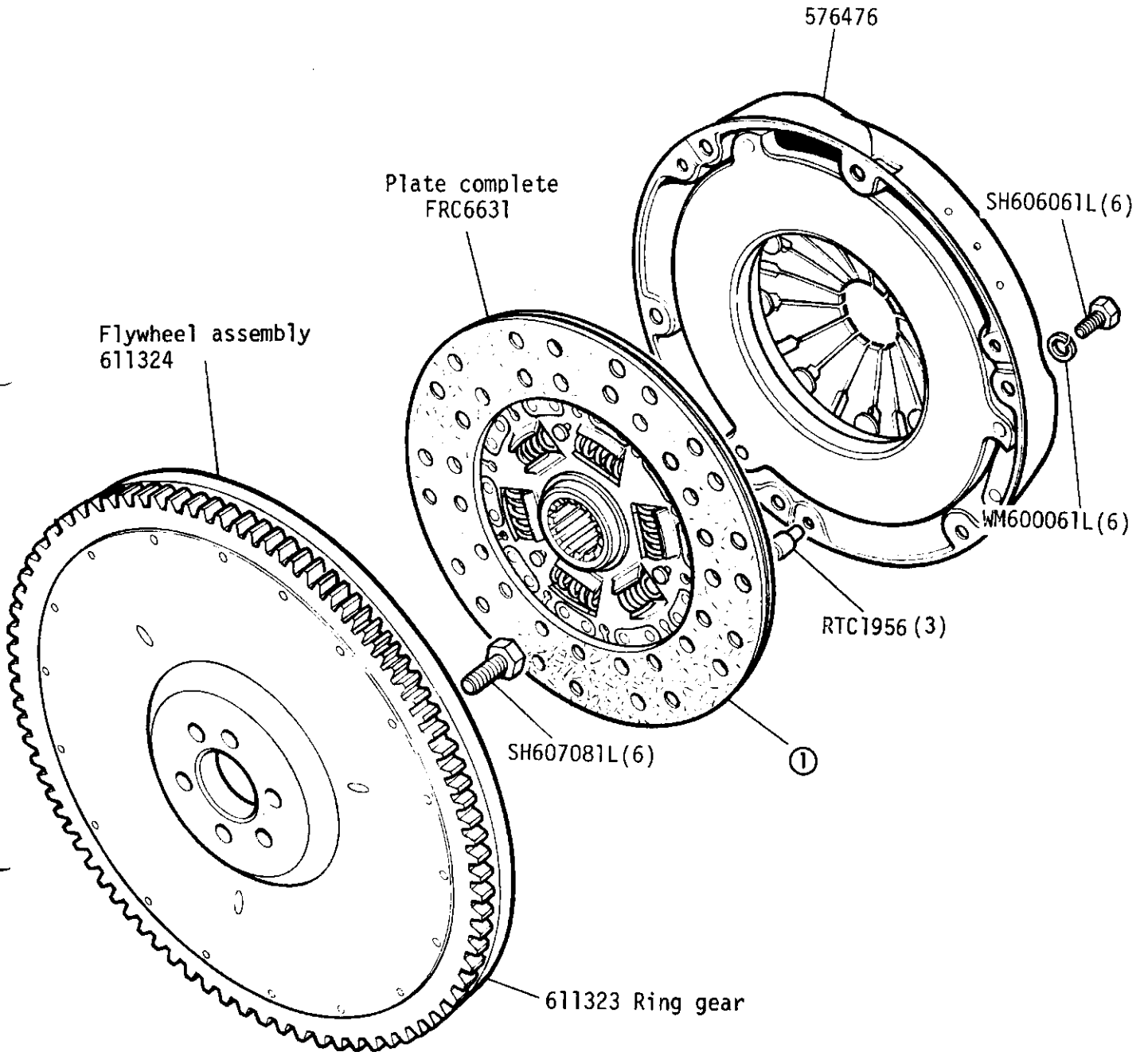
ENGINE - Flywheel and Clutch 2½ Litre Diesel



Linkage pack for Clutch 605997

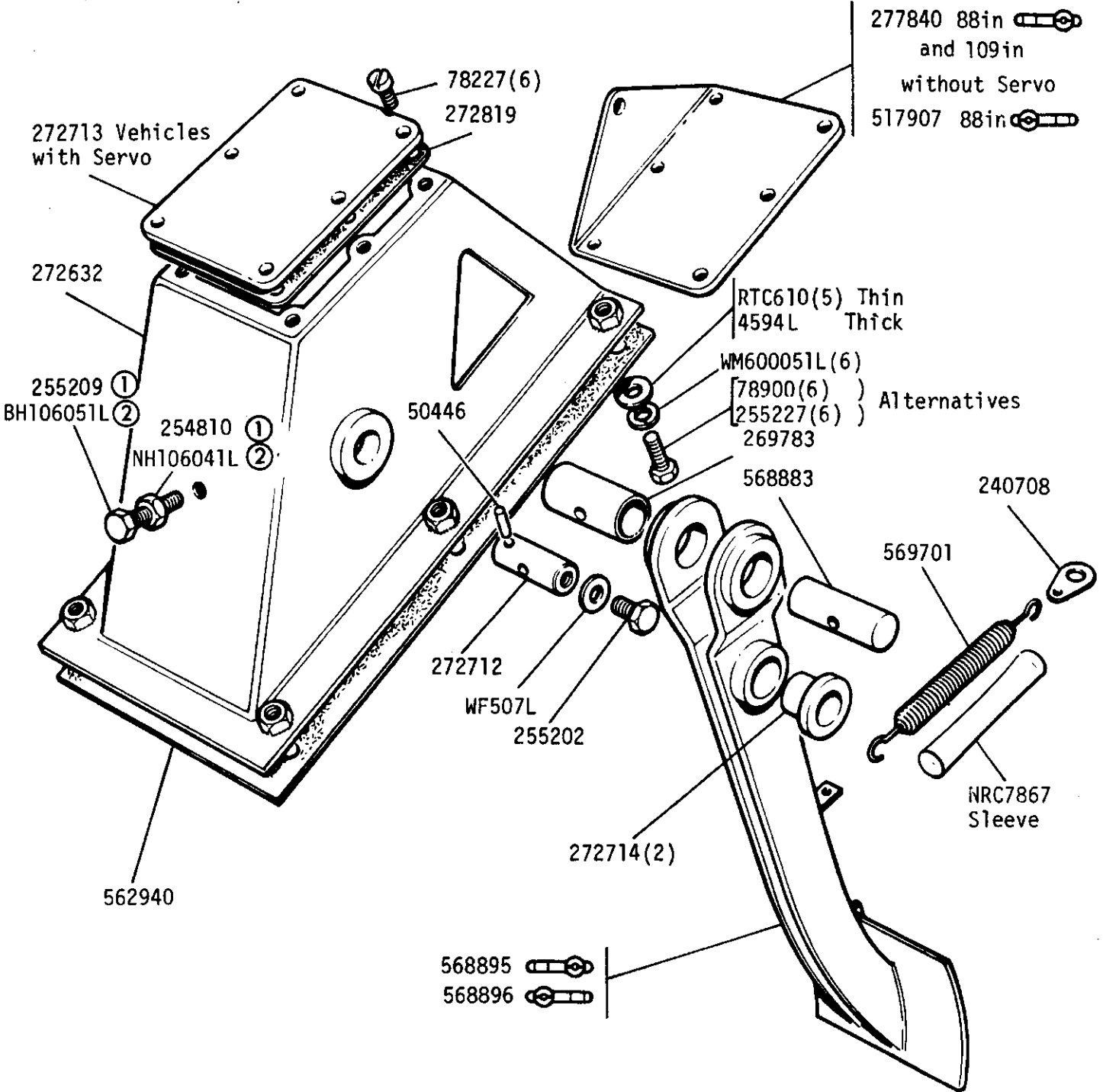
- ① 3 Bearing Crankshaft-engine prefix 906
- ② 5 Bearing Crankshaft-engine prefix 366
- ③ From engine number 36619420B
- ④ Not required if liquid gasket compound has been used
- ⑤ Reinforcing plate for flywheel ERC4658
- ⑥ Timing pointer and one gasket deleted after Nov 82

GROUP C  
CLUTCH - Flywheel and Clutch 109 V8



① Lining package for clutch AEU1750

GROUP C  
CLUTCH - Pedal and Bracket



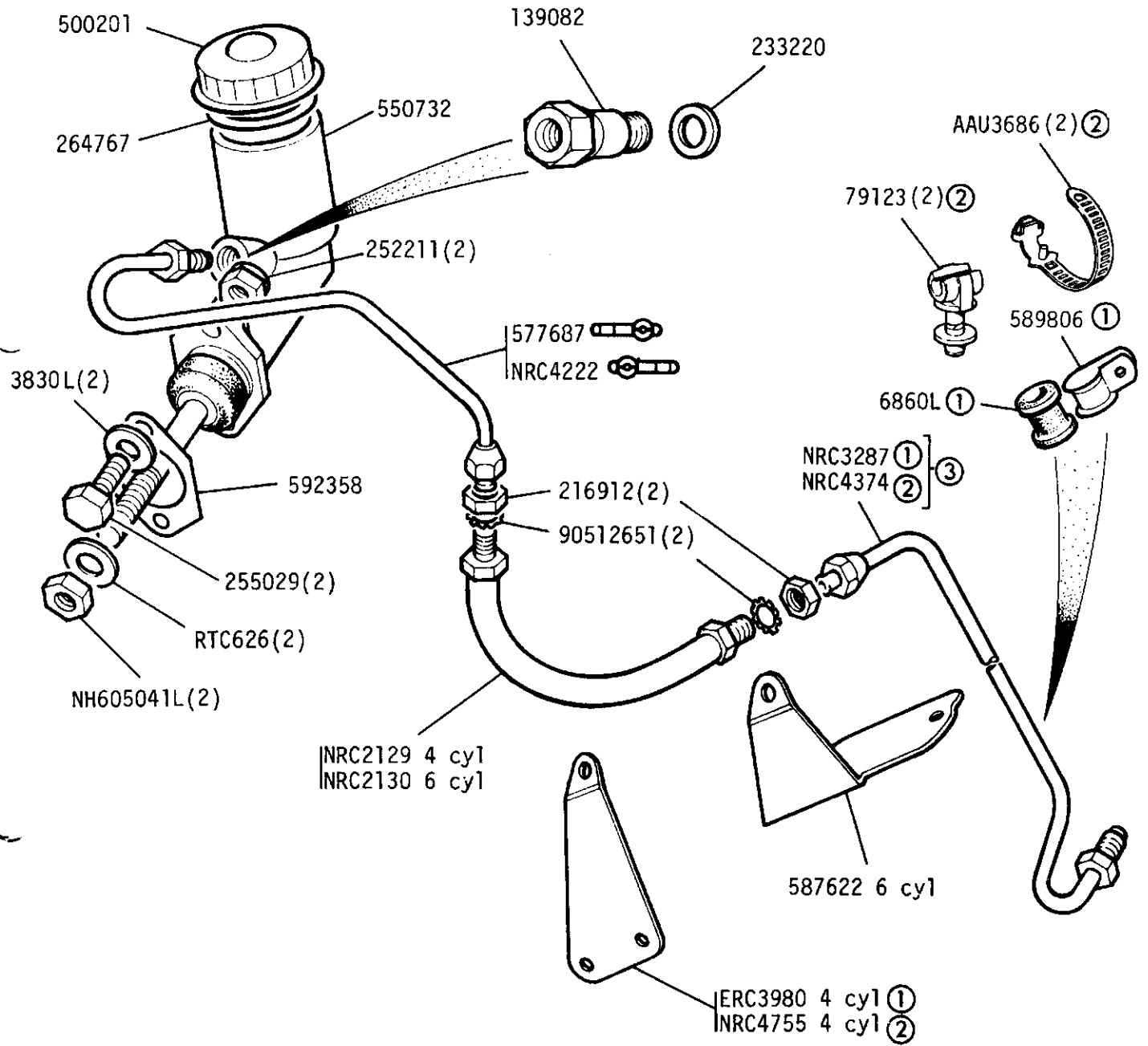
Clutch pedal and bracket assembly 568893

Clutch pedal and bracket assembly 568894

① UNF

② METRIC

GROUP C  
CLUTCH - Master Cylinder and Pipes

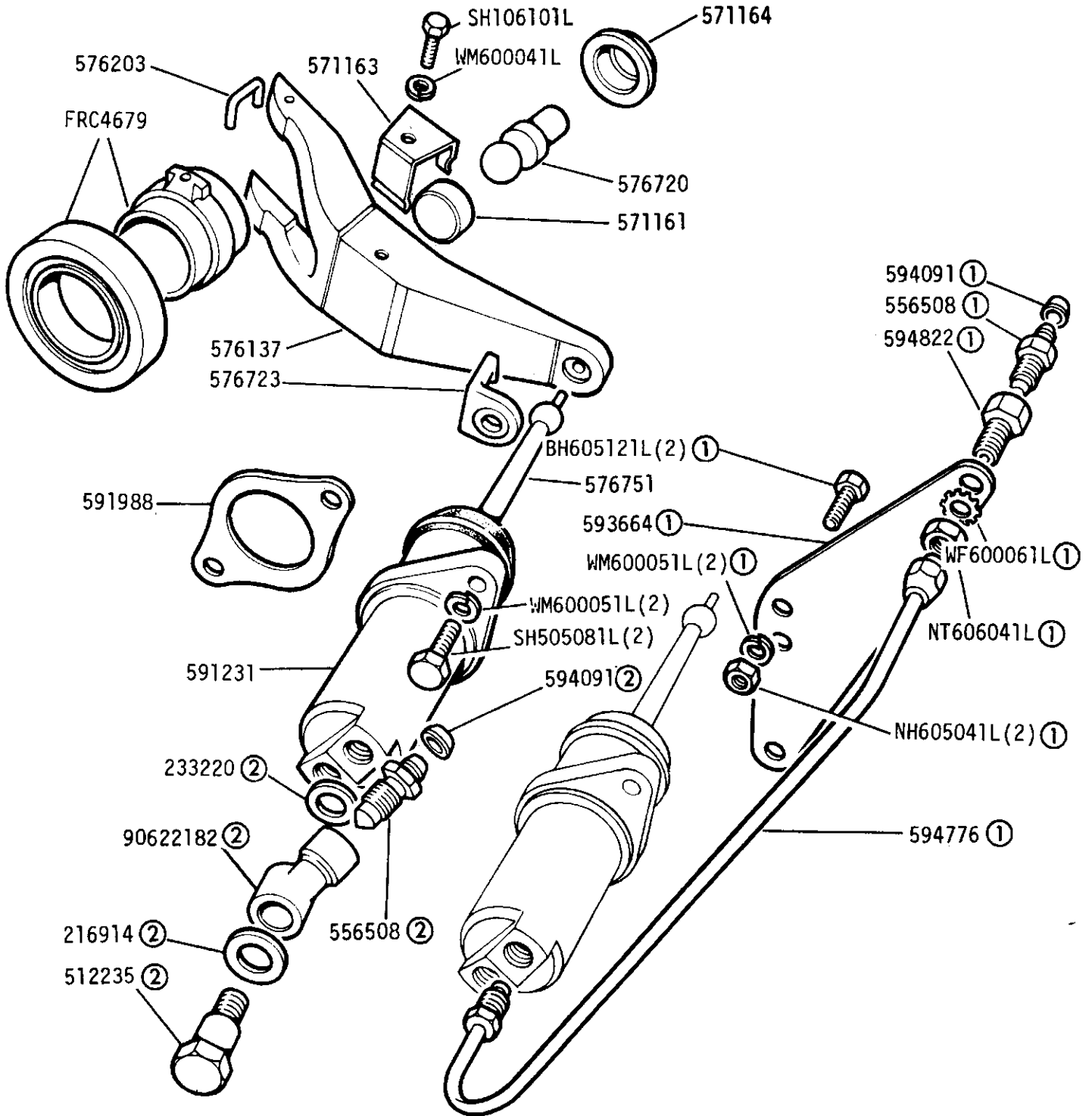


Clutch master cylinder overhaul kit 8G8837L  
 ① Required when NRC3287 is fitted  
 ② Required when NRC4374 is fitted  
 ③ Alternatives - Check before ordering



GROUP C

CLUTCH - Clutch Release Mechanism Except 109 V8



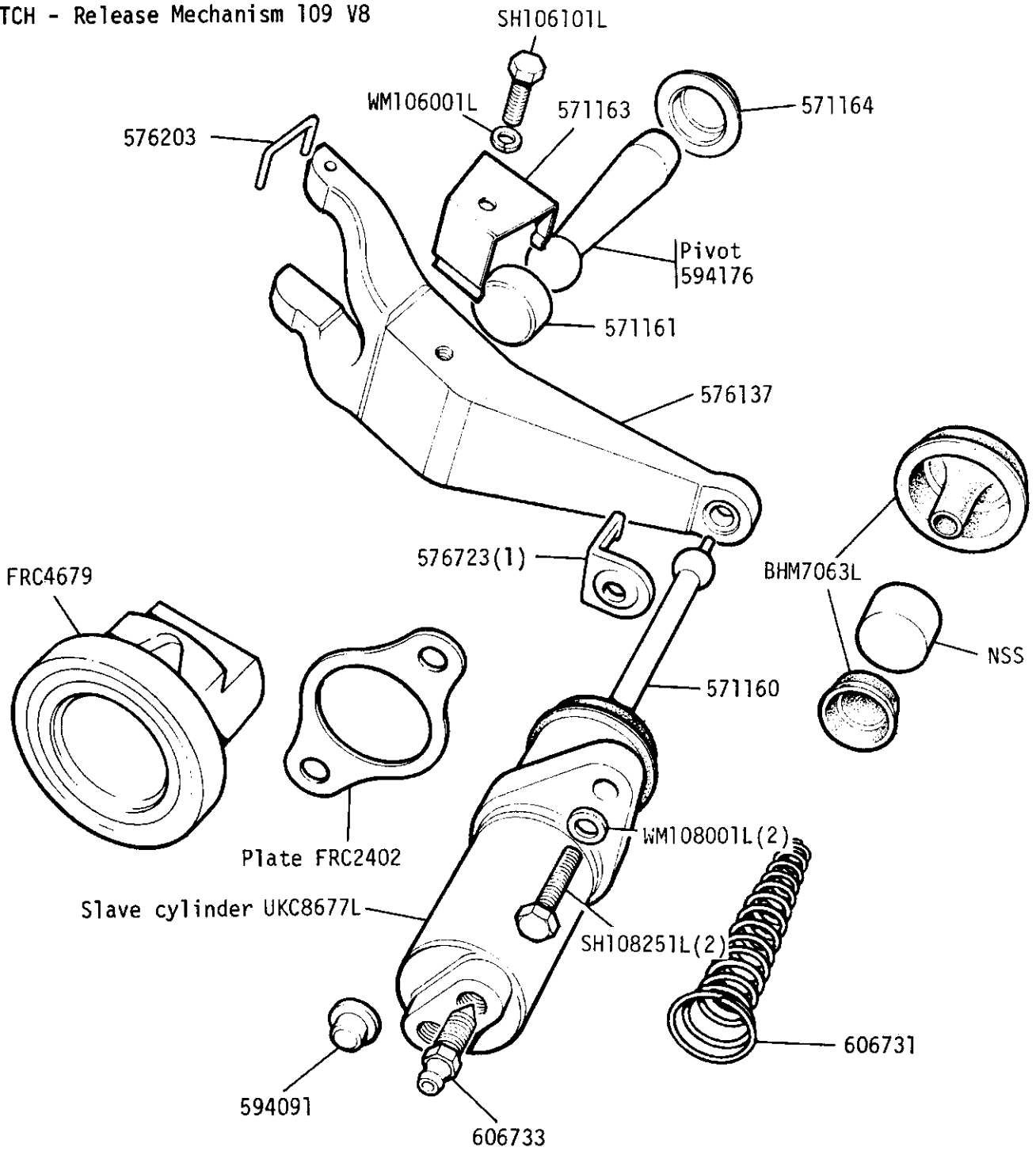
Clutch slave cylinder overhaul kit 8G8600

① Engine suffix 'A'

② From Engine suffix 'B' onwards

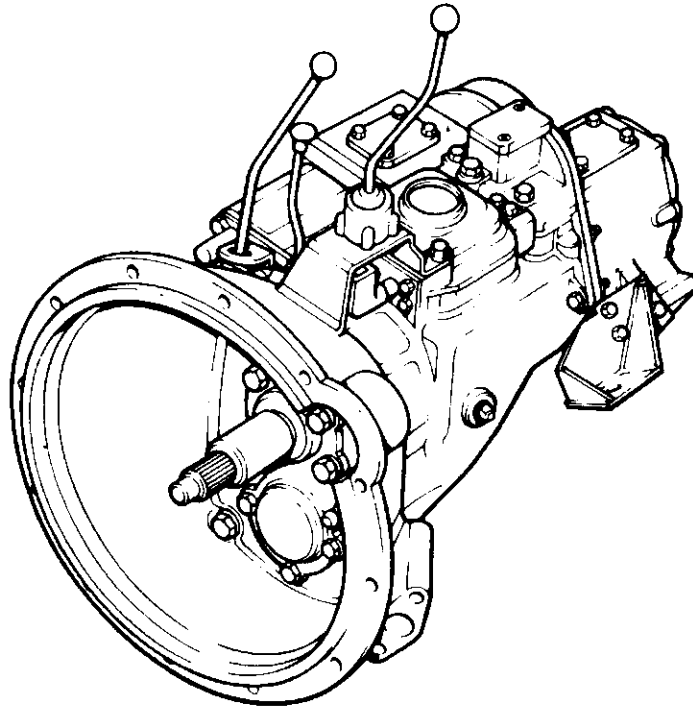


GROUP C  
 CLUTCH - Release Mechanism 109 V8



NRC3947 CLUTCH PIPE, HOSE TO SLAVE CYLINDER

GROUP D  
GEARBOX ASSEMBLY Except 109 V8



Gearbox Assemblies. New.

2½ Litre Petrol and Diesel Except 1 Ton RTC2705N

2.6 Litre Petrol Except 1 Ton FRC 2001N

109 2½ Litre Petrol 1 Ton FRC 2003N. Optional on all other models.

109 2.6 Litre Petrol 1 Ton FRC 2002N. Optional on all other models.

Gearbox Assemblies. Rebuilt.

2½ Litre Petrol and Diesel Except 1 Ton Gearbox suffix 'A' 576730R

2½ Litre Petrol and Diesel Except 1 Ton Gearbox suffix 'B' to 'C' FRC 2000R

2.6 Litre Petrol Except 1 Ton Gearbox suffix 'A' 576761R

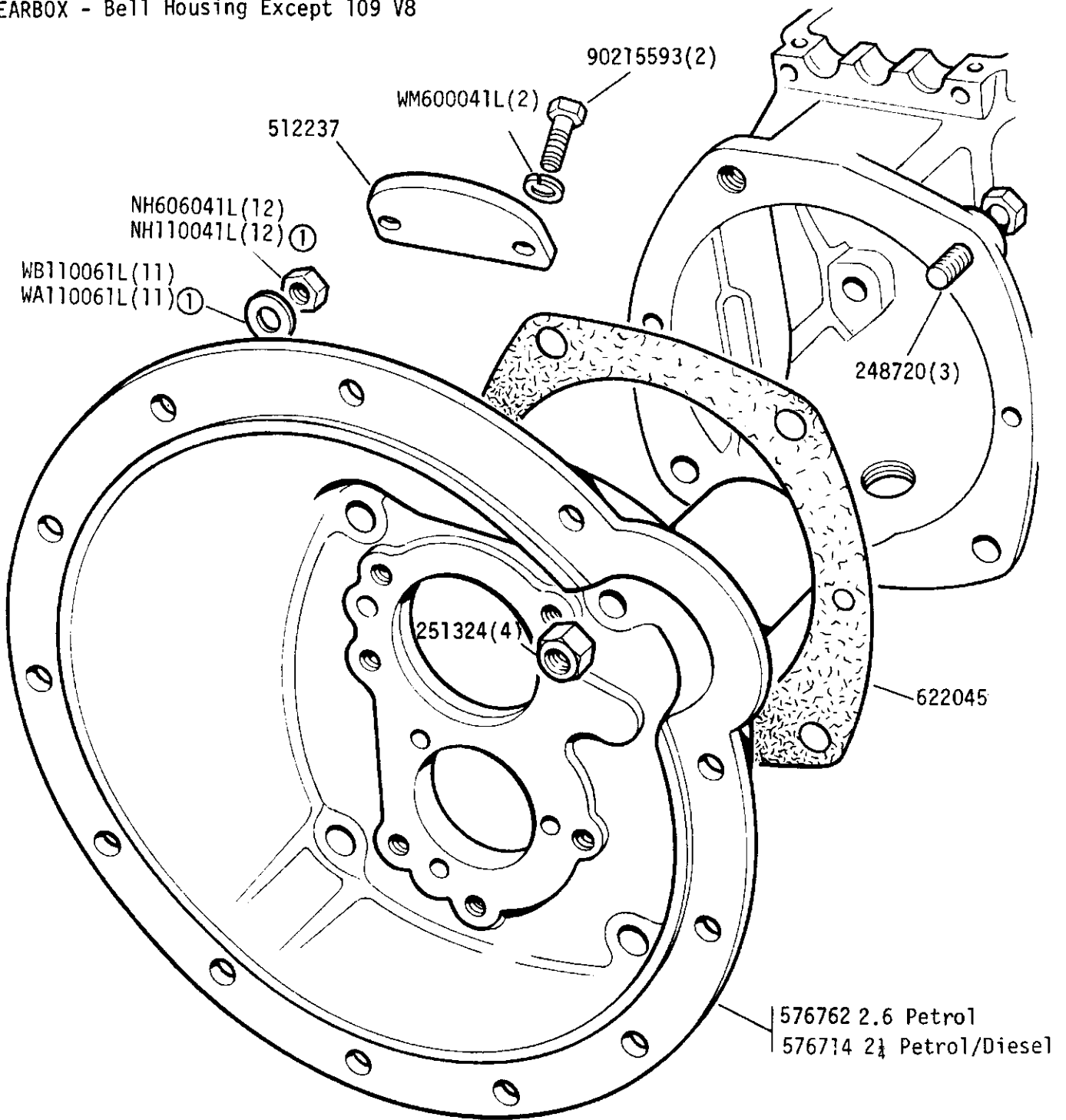
2.6 Litre Petrol Except 1 Ton Gearbox suffix 'B' onwards FRC 2001R 'D' onwards RTC2705R

Gearbox assembly less Transfer box for 2½ petrol and diesel RTC1945

Gearbox Gasket Kit 600603

GROUP D

GEARBOX - Bell Housing Except 109 V8



① From engine numbers 36123672B, 36407386B and 36619420B

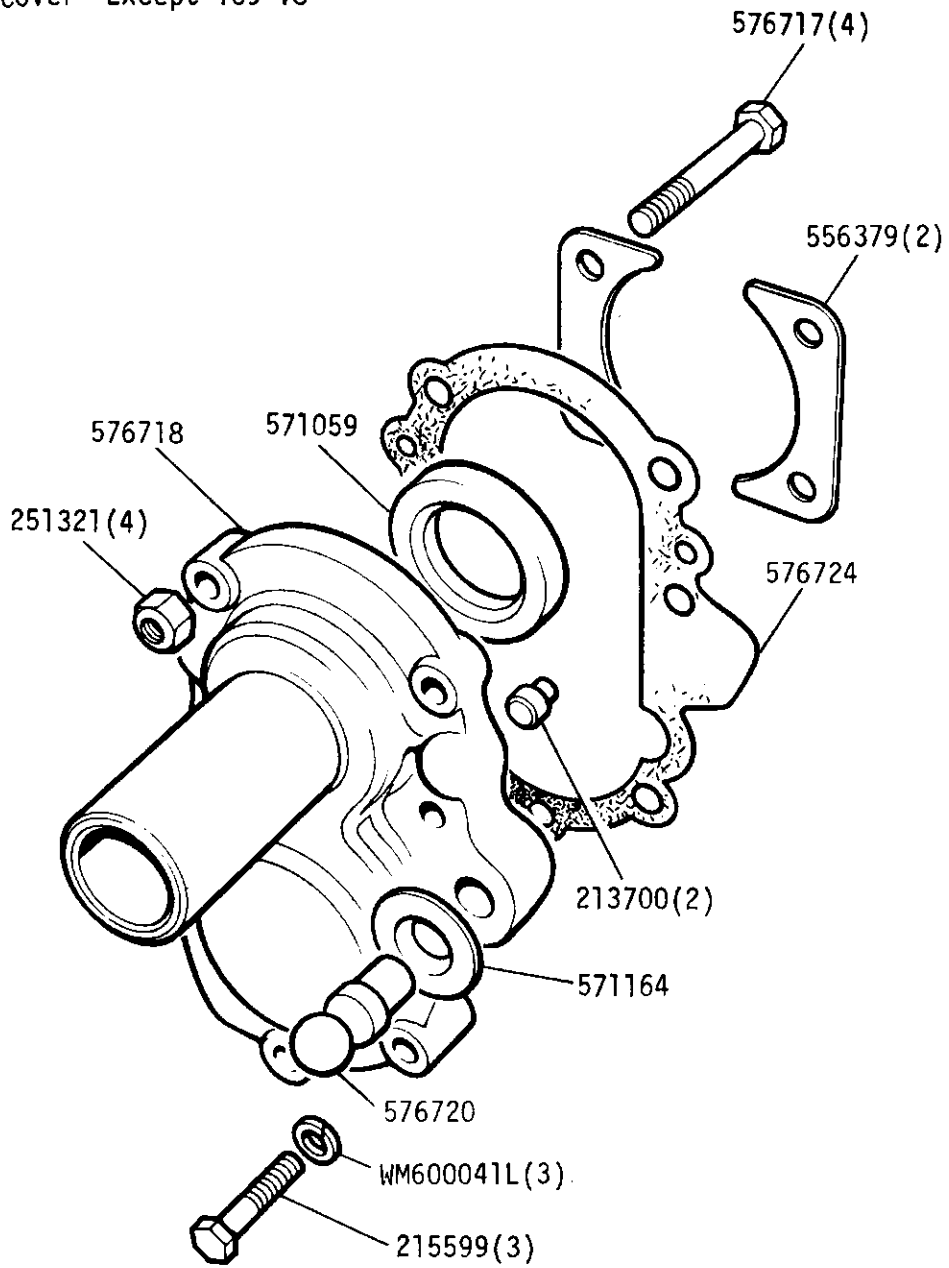


LAND ROVER

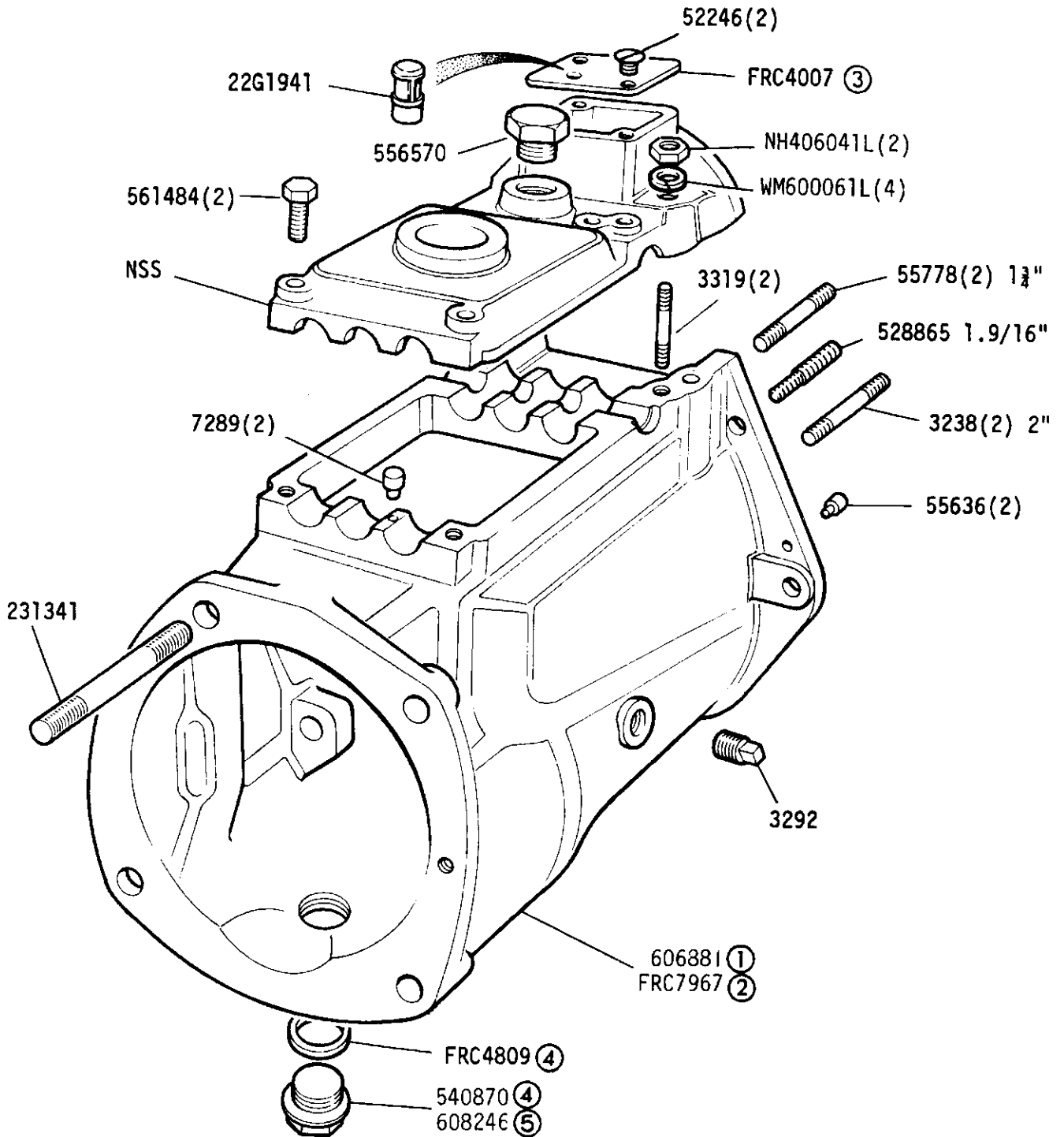
1H 02

1RE 110

GROUP D  
GEARBOX - Front Cover Except 109 V8

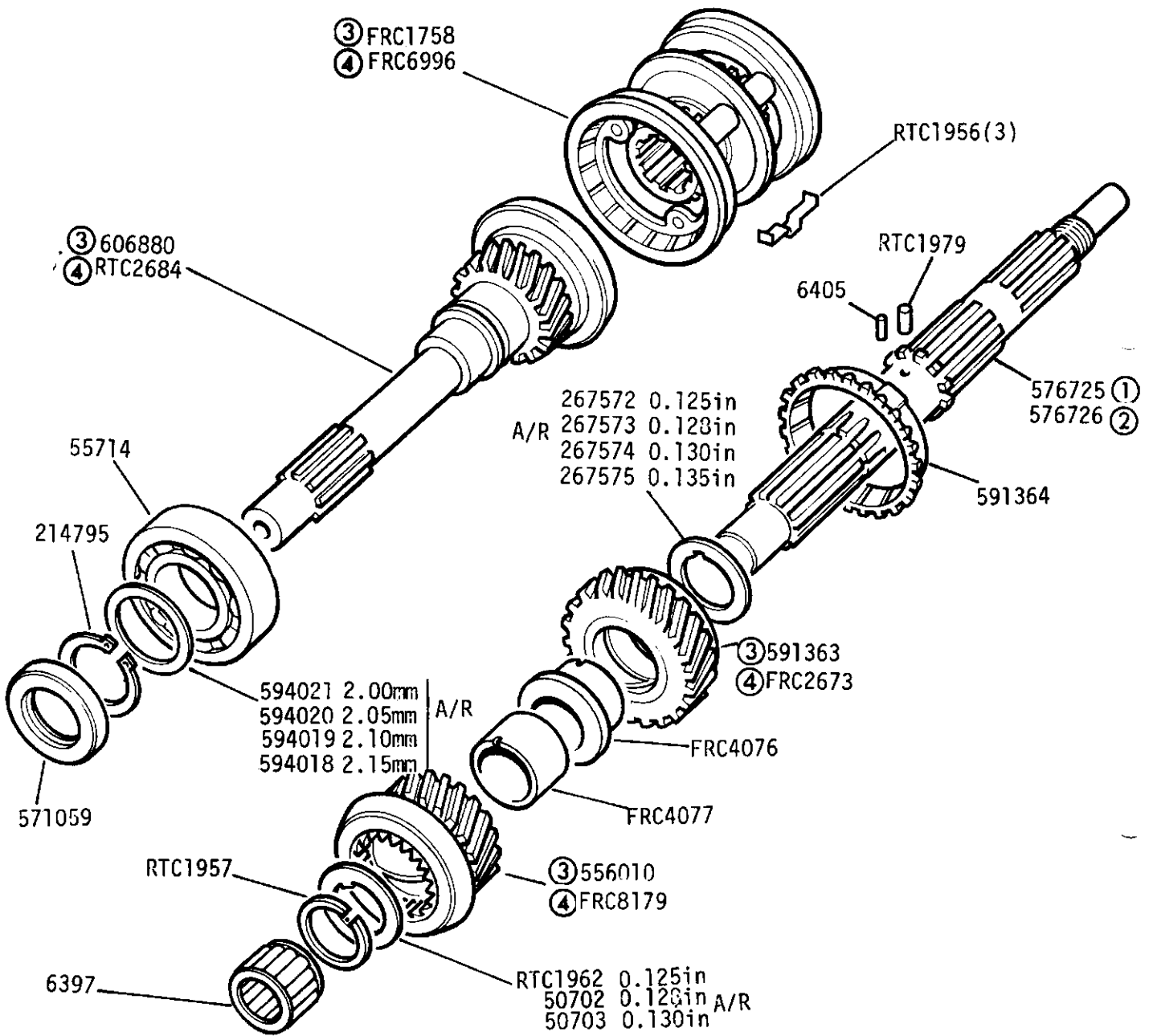


GROUP D  
 GEARBOX - Main casing - Except 109 V8



- ① Gearbox suffix A
- ② Gearbox suffix B onwards
- ③ Also use FRC3776 Joint Washer
- ④ Up to gearbox number 36133482D, 90121577D
- ⑤ From gearbox number 36133483D, 90121578D

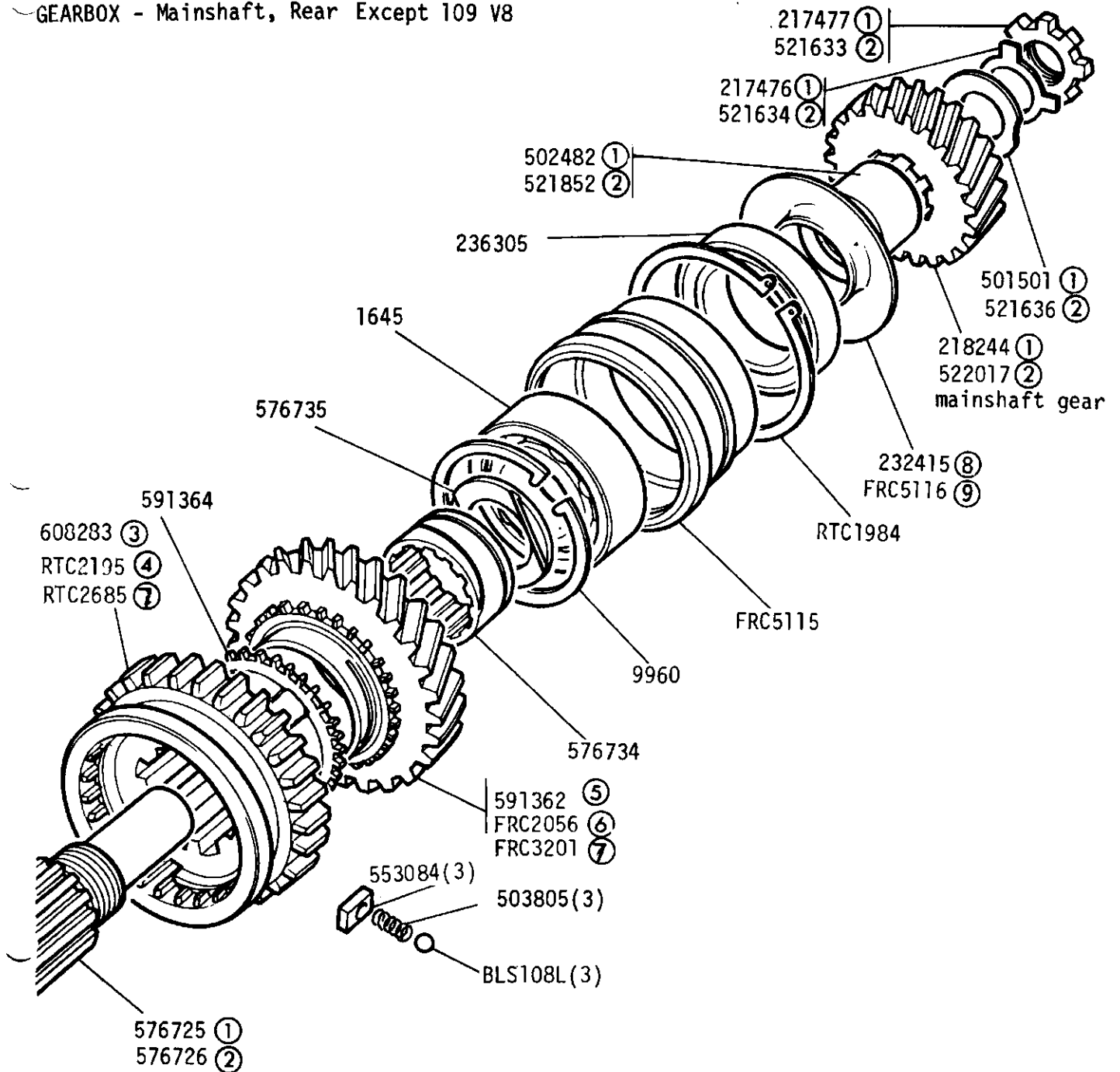
GROUP D  
 GEARBOX - Primary pinion and mainshaft, front Except 109 V8



- ① Except 1 ton
- ② 109 1 ton Optional on all other models
- ③ Up to gearbox Suffix 'C' inclusive
- ④ From gearbox Suffix 'D' onwards

GROUP D

GEARBOX - Mainshaft, Rear Except 109 V8



- |                                           |                                  |
|-------------------------------------------|----------------------------------|
| ① Except 1 Ton                            | ⑧ Use with Transfer Case 539787  |
| ② 109 1 Ton, Optional on all other models | ⑨ Use with Transfer Case FRC5567 |
| ③ Gearbox suffix 'A'                      |                                  |
| ④ Gearbox suffix B and C inclusive        |                                  |
| ⑤ Gearbox Suffix "A" and "B" inclusive    |                                  |
| ⑥ Gearbox Suffix 'C' only                 |                                  |
| ⑦ From Gearbox Suffix "D" onwards         |                                  |



GROUP D

GEARBOX - Layshaft Gears and Reverse - Gearbox Suffix 'A' Except 109 V8

