

## 2 ASSEMBLE DISH AND BRACKETS AS FIG A and FIG B

FIG A

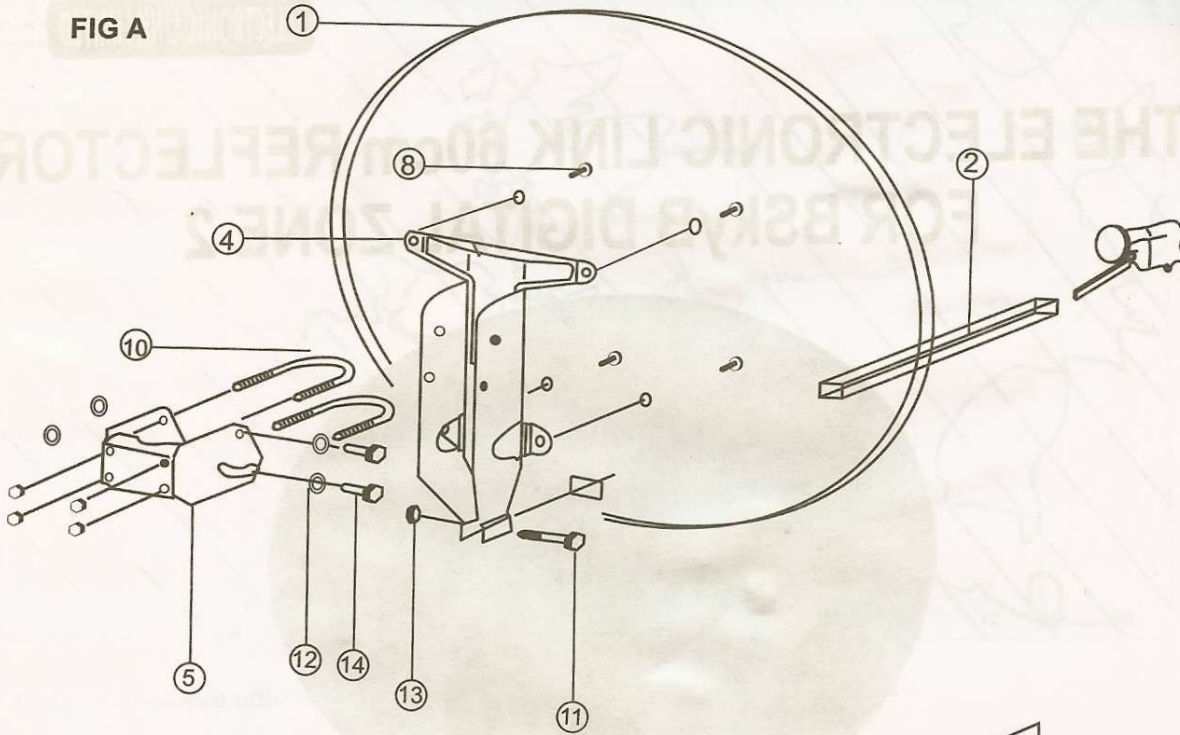
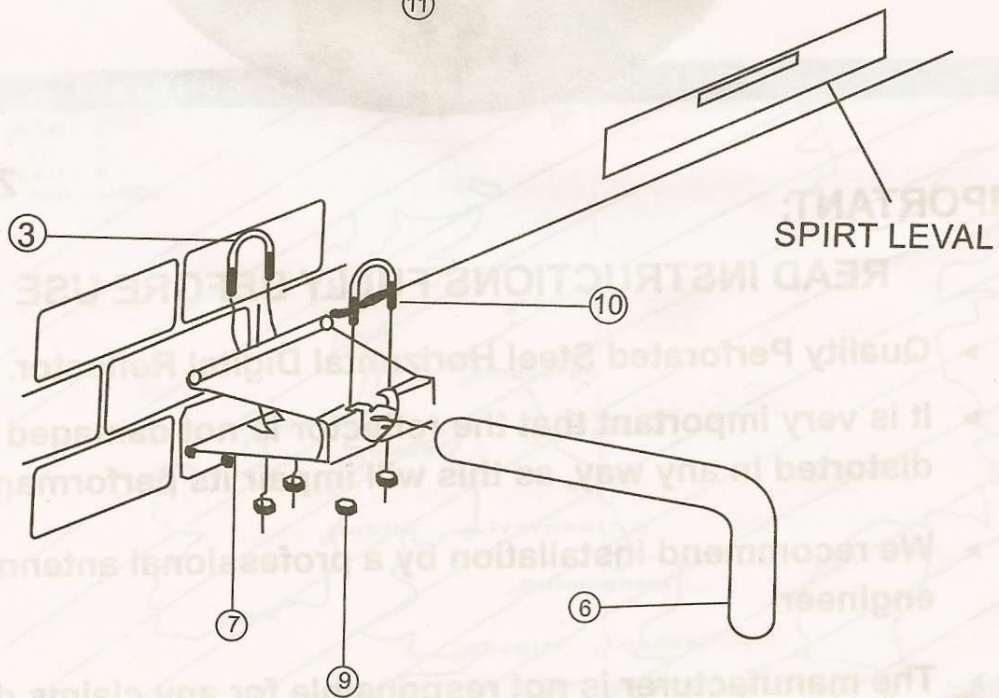


FIG B



# INSTRUCTIONS

## 1. Remove components from packing and check for damage

ITEM	DESCRIPTION	QUANTITY
1	Reflector	1
2	Feed Arm	1
3	M6 x 53U bolt	1
4	Reflector back bracket	1
5	Elevation bracket	1
6	Wall tube	1
7	Wall bracket	1
8	Dish bolt	4
9	M6 flanged Nut	12
10	M6 x 63 u bolt	3
11	M5 x 40 bolt	1
12	M8 plain washer	4
13.	M 5 flanged nut	1
14/	M8 x 16 set screw	4

### BSkyB ZONE 2 DIGITAL REFLECTOR ASSEMBLY INSTRUCTION

1. Bolt reflector back bracket (4) to main reflector (1) with 4 off M6 dish bolts (8)
2. Bolt elevation bracket (5) to reflector back bracket (4) using items (12-14) being careful to ensure the elevation bracket (5) is the correct way up as indicated by the scale.
3. Secure the wall tube (6) to the inside of the elevation bracket (5) by means of the large U bolts (10) and nuts (9) PLEASE NOTE. The wall tube may be reversed to ensure correct sighting of the satellite. In ALL CASES the wall tube should be mounted out of the top of the elevation bracket to stop rain entering the tube.
4. The complete assembly can now be attached to the wall bracket (7) by means of one small U bolt (3) and nut (9) and one large U bolt (10) and nut (9) and in accordance with B Sky B mounting procedures Ref fig B.